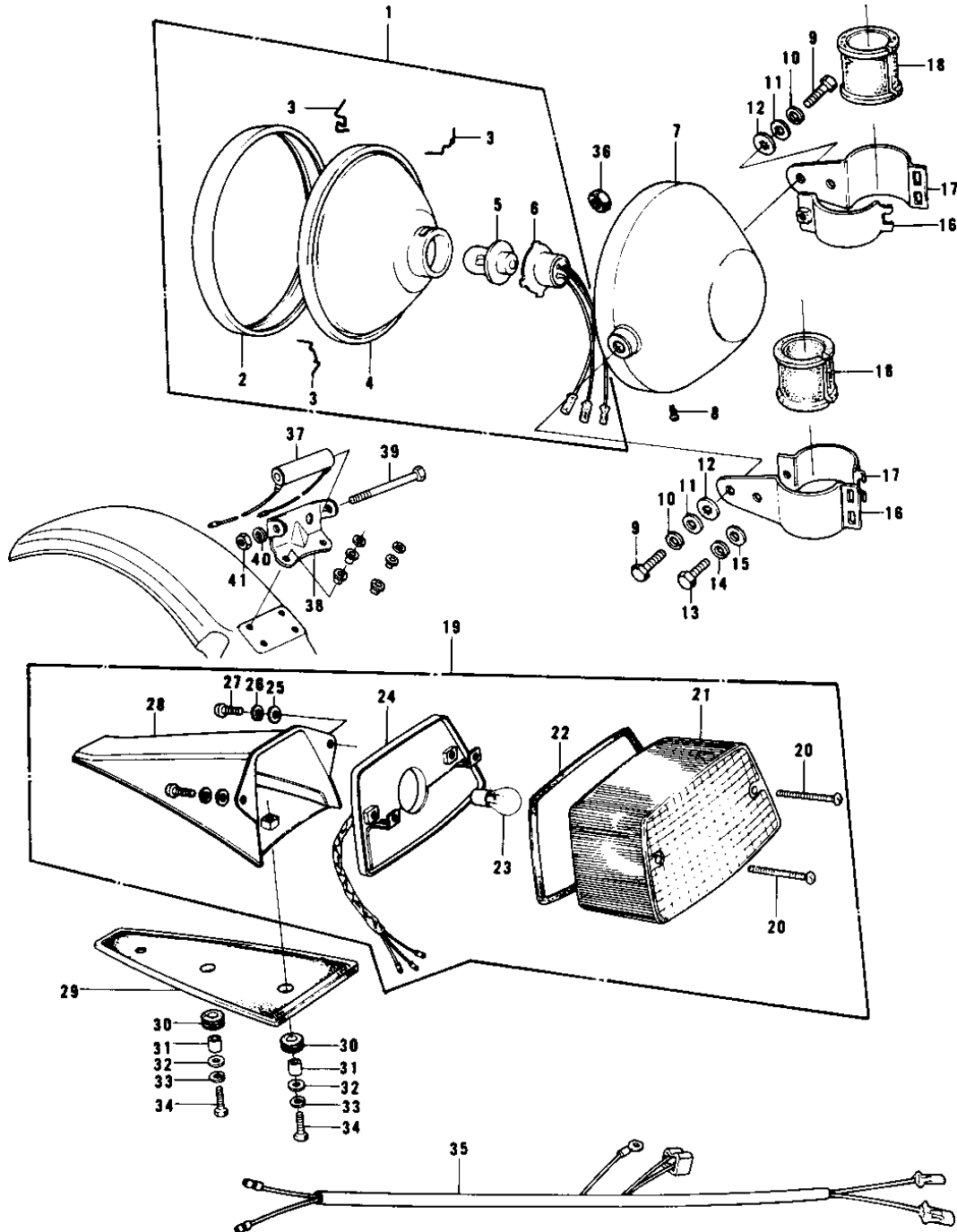


1978 KD175-A3 PARTS DIAGRAM

OPTIONAL PARTS



1978 KD175-A3 PARTS LIST

OPTIONAL PARTS

ITEM NAME	PART NUMBER	QUANTITY
LAMP UNIT-HEAD (Ref # 1)	23004-023	
RIM,HEAD LAMP (Ref # 2)	23006-043	
CLAMP,HEAD LAMP LENS (Ref # 3)	23009-014	
LENS UNIT-HEAD LAMP (Ref # 4)	23007-010	
BULB 6V 25/25W (Ref # 5)	92069-031	
SOCKET HEAD LAMP (Ref # 6)	23008-009	
BODY,HD LIGHT,FL BLCK (Ref # 7)	23005-1006-21	
BODY,HD LIGHT,FL BLCK (Ref # 7)	23005-1006-21	
SCREW OVL CNTSNK 5X8 (Ref # 8)	222E0508A	
SCREW,PAN HEAD,5X14 (Ref # 8)	23019-025	
BOLT,HEX HEAD,10X25 (Ref # 9)	92007-045	
WASHER SPRING 10MM (Ref # 10)	461F1000	
WASHER PLAIN 10MM (Ref # 11)	411B1000	
WASHER LOCK 10MM (Ref # 12)	463H1000	
BOLT HEAD LAMP MOUNT (Ref # 13)	92007-003	
WASHER SPRING 8MM (Ref # 14)	461F0800	
WASHER PLAIN 8MM (Ref # 15)	411B0800	
BRACKET,HEAD LAMP (Ref # 16)	23064-018	
BRACKET,HEAD LAMP (Ref # 17)	23064-019	
DAMPER RUBBER (Ref # 18)	92075-064	
LAMP ASSY,TAIL,WHITE (Ref # 18)	23024-084-3G	
SCREW-PAN-CROS (Ref # 20)	220E0325	
LENS,TAIL LAMP (Ref # 21)	23026-040	
GASKET,TAIL LIGHT (Ref # 22)	23028-020	
BULB,6V 17/5.3W (Ref # 23)	92069-028	
CASE,TAIL LAMP (Ref # 24)	23027-044	
WASHER PLAIN 5MM (Ref # 25)	411B0500	
WASHER SPRING 5MM (Ref # 26)	461F0500	
SCREW PAN HEAD 5X10 (Ref # 27)	220E0510A	

1978 KD175-A3 PARTS LIST

OPTIONAL PARTS

ITEM NAME	PART NUMBER	QUANTITY
BKT,LICENSE PLT,WHITE (Ref # 28)	23036-042-3G	
DAMPER RUBBER (Ref # 29)	23066-018	
DAMPER RUBBER,RR FEND (Ref # 30)	92075-121	
COLLAR 6.8X10X10.5 (Ref # 31)	92027-120	
WASHER,PLAIN,7MM (Ref # 32)	92022-228	
WASHER SPRING 6MM (Ref # 33)	461F0600	
BOLT 6X22 (Ref # 34)	112B0622	
WIRING HARNESS,MAIN (Ref # 35)	26001-138	
NUT,10MM (Ref # 36)	314B1000	
RESISTOR,40W (Ref # 37)	28018-1009	
BRACKET,RESISTER (Ref # 38)	11034-1142	
BOLT HEX HEAD 8X110 (Ref # 39)	110B08110	
WASHER SPRING 8MM (Ref # 40)	461F0800	
NUT 8MM (Ref # 41)	312B0800	