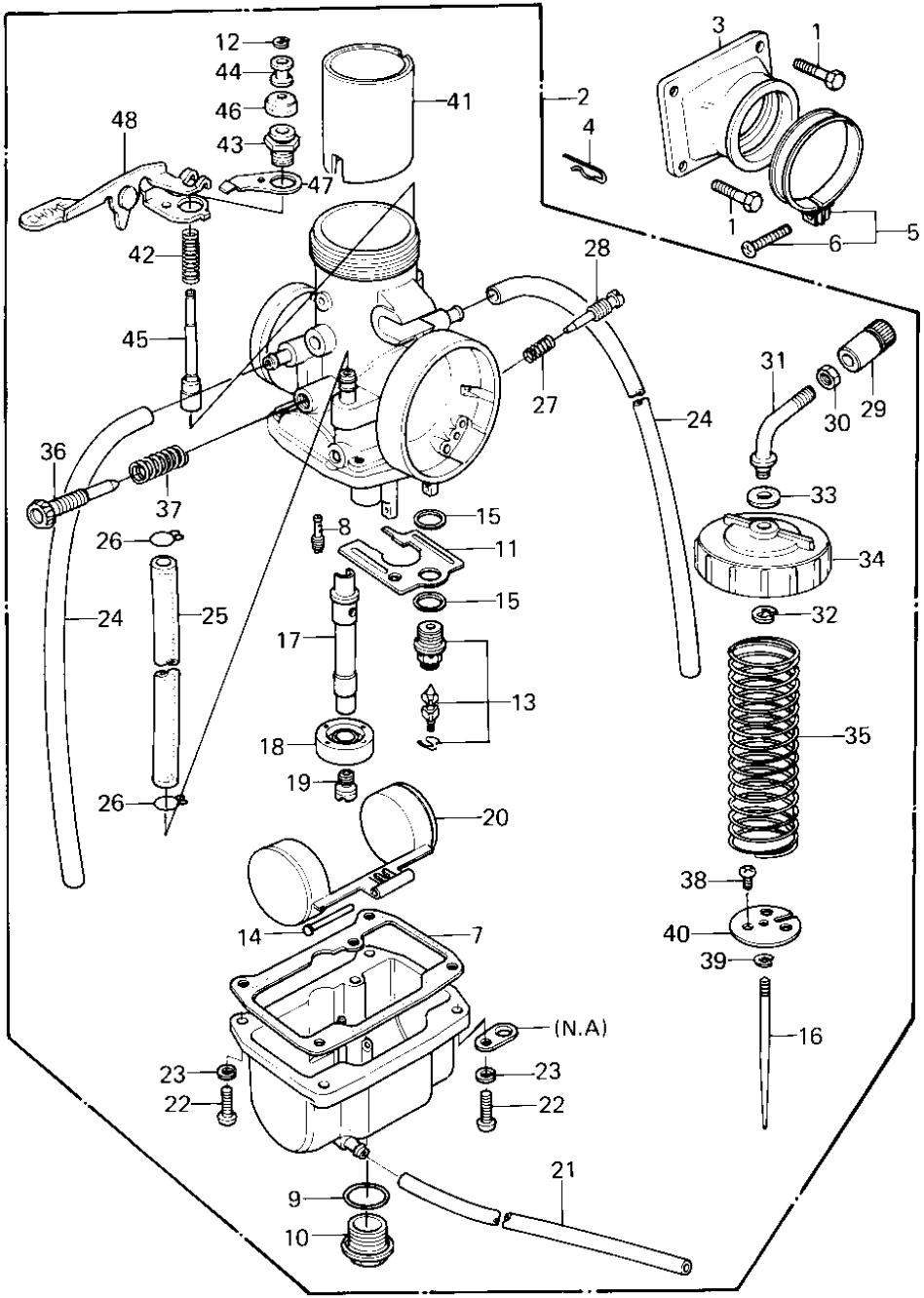


1980 KDX175 PARTS DIAGRAM

CARBURETOR ('80 A1)



1980 KDX175 PARTS LIST

CARBURETOR ('80 A1)

ITEM NAME	PART NUMBER	QUANTITY
BOLT-UPSET (Ref # 1)	112G0625	4
CARBURETOR ASSY (Ref # 2)	16001-1250	1
HOLDER,CARBURETOR (Ref # 3)	16065-1007	1
CIRCLIP (Ref # 4)	92036-018	1
CLAMP-INLET PIPE (Ref # 5)	92037-061	1
SCREW,PAN HEAD (Ref # 6)	92011-037	1
GASKET,FLOAT CHAMBER (Ref # 7)	11009-1079	1
JET-PILOT NO 40 (Ref # 8)	92064-024	1
GASKET-COVER (Ref # 9)	16038-009	1
COVER,MAIN JET (Ref # 10)	16049-006	1
PLATE,FLOAT CHAMBER (Ref # 11)	11009-1080	1
CIRCLIP (Ref # 12)	16076-003	1
FLOAT VALVE ASSY (Ref # 13)	16030-022	1
PIN,FLOAT (Ref # 14)	16032-008	1
GASKET,FLOAT VALVE (Ref # 15)	11009-1076	2
JET NEEDLE,6DH7 (Ref # 16)	16009-1063	1
NEEDLE JET,Q-4 (Ref # 17)	16017-1060	1
HOLDER,NEEDLE JET (Ref # 18)	16065-1017	1
MAIN JET,#A137.5 (Ref # 19)	92063-1087	1
JET-MAIN NO 132.5R (Ref # 19)	92063-103	(1
MAIN JET NO 135R (Ref # 19)	92063-104	(1
MAIN JET,#140A (Ref # 19)	92063-116	(1
JET-MAIN NO 142.5R (Ref # 19)	92063-117	(1
FLOAT ASSY (Ref # 20)	16031-025	1
HOSE,OVERFLOW (Ref # 21)	92059-1025	1
SCREW, PAN HEAD 5X16 (Ref # 22)	220B0516A	4
WASHER SPRING 5MM (Ref # 23)	461F0500	4
TUBE,3.5X6.5X290,BRT (Ref # 24)	92059-1017	2
HOSE,6.5X11.5X240 (Ref # 25)	92059-1084	1

1980 KDX175 PARTS LIST

CARBURETOR ('80 A1)

ITEM NAME	PART NUMBER	QUANTITY
CLAMP,CARB CONECT HO (Ref # 26)	92037-056	2
SPRING-THR STOP SCRE (Ref # 27)	16022-007	1
SCREW (Ref # 28)	16014-006	1
ADJUSTER,CABLE (Ref # 29)	16002-1006	1
NUT CABLE ADJUST LOC (Ref # 30)	16003-004	1
GUIDE,CABLE (Ref # 31)	13070-1010	1
CIRCLIP,CABLE GUIDE (Ref # 32)	16008-011	1
GASKET,CABLE GUIDE (Ref # 33)	11009-1191	1
TOP,MIXING CHAMBER (Ref # 34)	16004-1003	1
SPRING-THROTTLE VALV (Ref # 35)	16006-016	1
SCREW,THROTTLE ADJUS (Ref # 36)	16021-1028	1
SPRING,THRTL STP SCR (Ref # 37)	92081-1200	1
SCREW,4X5 (Ref # 38)	92009-1037	1
CIRCLIP (Ref # 39)	16008-010	1
SEAT,THROTTLE VALVE (Ref # 40)	16007-1007	1
VALVE,THROTTLE,CA2.0 (Ref # 41)	16025-1047	1
SPRING,STARTER PLUG (Ref # 42)	16013-008	1
CAP,PLUNGER (Ref # 43)	16012-016	1
COLLAR (Ref # 44)	16073-014	1
PLUNGER ASSY,STARTER (Ref # 45)	16016-1014	1
CAP,STARTER PLUNGER (Ref # 46)	16039-015	1
SPRING,STATER LEVER (Ref # 47)	16013-009	1
LEVER,STARTER (Ref # 48)	13168-1066	1