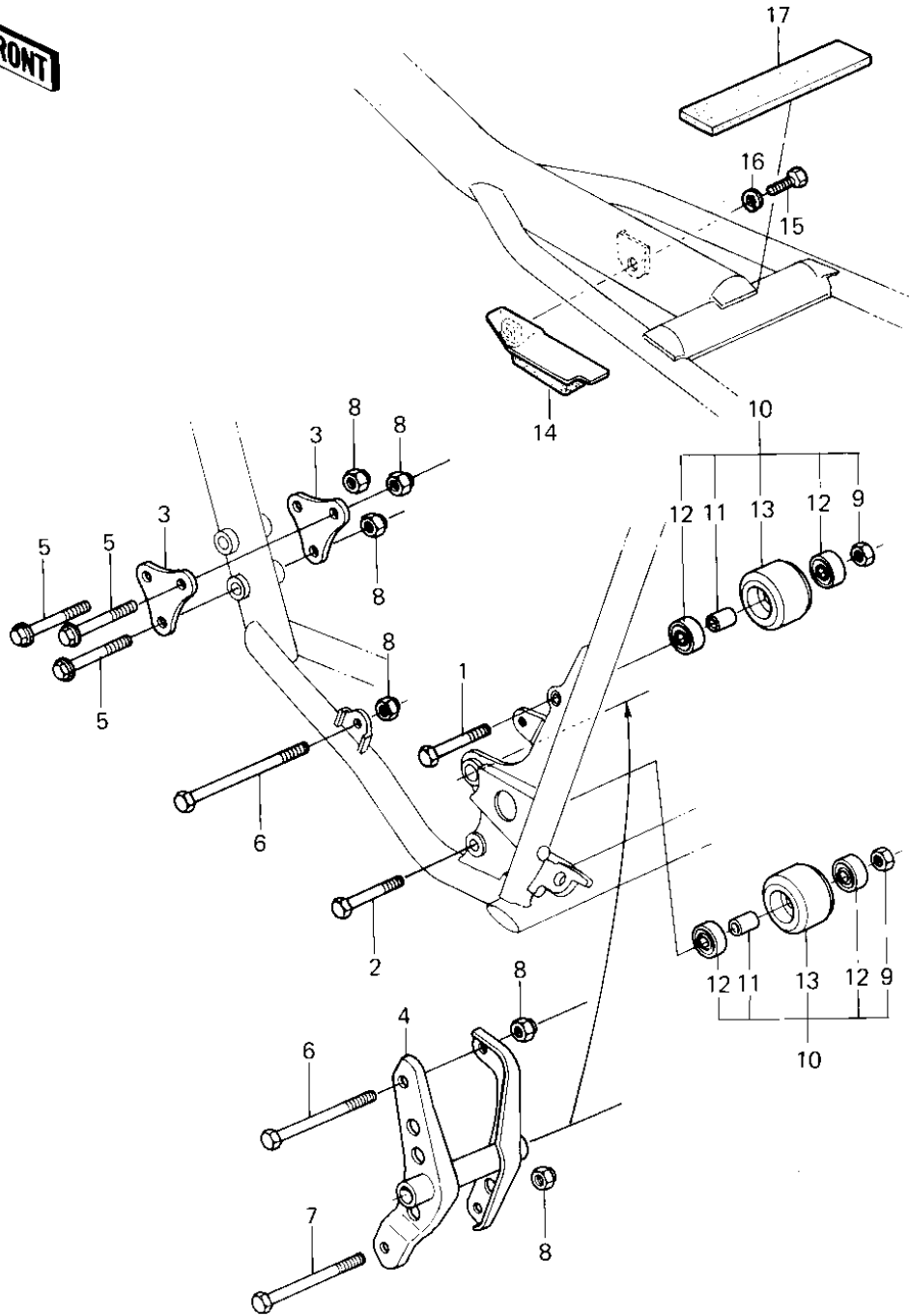


1980 KDX175 PARTS DIAGRAM

FRAME FITTINGS ('80 A1)



1980 KDX175 PARTS LIST

FRAME FITTINGS ('80 A1)

| ITEM NAME | PART NUMBER | QUANTITY |
|-------------------------------|-------------|----------|
| BOLT,8X55 (Ref # 1) | 92001-1386 | 1 |
| BOLT FLANGED,8X70 (Ref # 2) | 92001-1583 | 1 |
| BRACKET-ENGINE (Ref # 3) | 32029-1140 | 2 |
| BRACKET,ENGINE REAR (Ref # 4) | 32029-1123 | 1 |
| BOLT,8X69 (Ref # 5) | 92001-1410 | 3 |
| BOLT,FLANGED,8X90 (Ref # 6) | 92002-1416 | 2 |
| BOLT,8X105 (Ref # 7) | 92001-1394 | 1 |
| NUT,LOCK,8MM (Ref # 8) | 92015-1124 | 6 |
| NUT,LOCK,8MM (Ref # 9) | 92015-1124 | 2 |
| ROLLER,ASSY (Ref # 10) | 92122-1013 | 2 |
| COLLAR (Ref # 11) | 92027-1081 | 2 |
| BEARING,BALL (Ref # 12) | 92045-1009 | 4 |
| ROLLER (Ref # 13) | 92122-1014 | 2 |
| DAMPER,REAR SHOCK (Ref # 14) | 92075-1249 | 1 |
| BOLT SMALL (Ref # 15) | 114G0812 | 1 |
| WASHER SPRING 8MM (Ref # 16) | 461F0800 | 1 |
| SEAL (Ref # 17) | 92093-1039 | 1 |