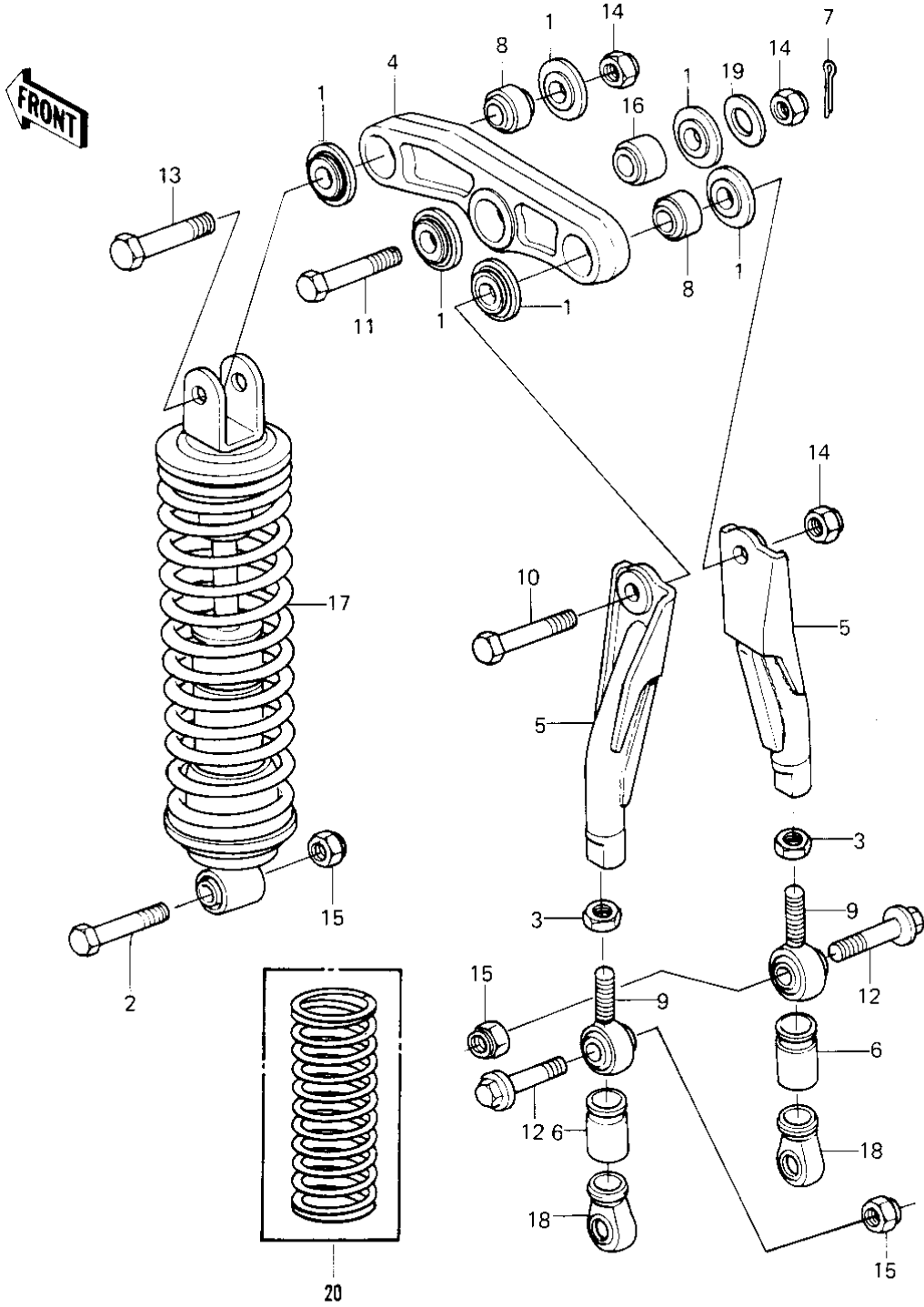


1980 KDX175 PARTS DIAGRAM

REAR SUSPENSION ('80 A1)



Re

1062-12

1980 KDX175 PARTS LIST

REAR SUSPENSION ('80 A1)

ITEM NAME	PART NUMBER	QUANTITY
CAP,SUSPENSION ARM (Ref # 1)	11012-1117	6
BOLT,HEX HEAD,12X55 (Ref # 2)	113P1255A	1
NUT-HEX-FINE,12MM (Ref # 3)	315B1200	2
ARM,SUSPENSION (Ref # 4)	39007-1003	1
ROD-ASSY,UNITRK (Ref # 5)	46102-5001	2
BOOT,BALL JOINT (Ref # 6)	49006-1045	2
PIN COTTER 2.5X25 (Ref # 7)	550D2525	1
JOINT,BALL,SUSPENSIO (Ref # 8)	59266-1001	2
JOINT,BALL,SUSPENSIO (Ref # 9)	59266-1002	2
BOLT,HEX HEAD,14X54 (Ref # 10)	92001-1295	1
BOLT,HEX HEAD,14X60 (Ref # 11)	92001-1335	1
BOLT,HEX HEAD,12X40 (Ref # 12)	92001-1306	2
BOLT,HEX HEAD,14X50 (Ref # 13)	92001-1317	1
NUT-LOCK,14MM (Ref # 14)	92019-011	3
NUT-LOCK,12MM (Ref # 15)	92019-009	3
BUSHING,SUSPENSION A (Ref # 16)	92028-1087	1
SHOCK ABSBR RR (Ref # 17)	45014-1052	1
BOOT,BALL JOINT (Ref # 18)	49006-1046	2
WASHER PLAIN 14MM (Ref # 19)	410B1400	1
SPRING, RR SHOCK STD (Ref # 20)	92081-1348	1
SPRING,REAR SHOCK (Ref # 20)	92081-1235	(1
SPRING,REAR SHOCK (Ref # 20)	92081-1236	(1