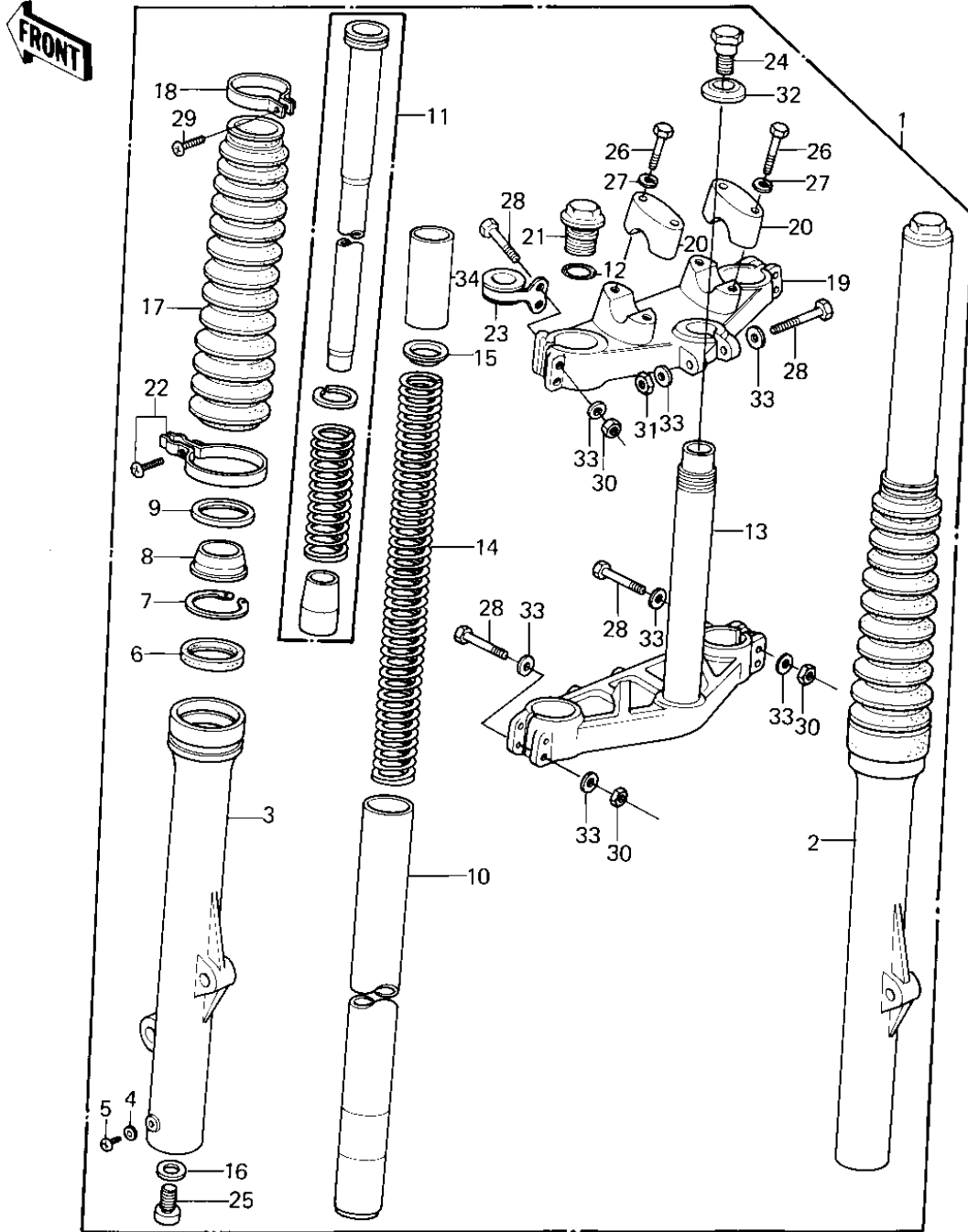


1980 KDX175 PARTS DIAGRAM

FRONT FORK ('80 A1)



1980 KDX175 PARTS LIST

FRONT FORK ('80 A1)

ITEM NAME	PART NUMBER	QUANTITY
FORK-FRONT (Ref # 1)	44001-1120	1
TUBE,RH,FORK OUTER (Ref # 2)	44006-1030	1
TUBE,LH,FORK OUTER (Ref # 3)	44005-1030	1
GASKET FORK DRAIN PL (Ref # 4)	44045-002	2
SCREW PAN HEAD 4X8 (Ref # 5)	220B0408	2
OIL,SEAL,FORK OUTER (Ref # 6)	92049-1009	2
RING,SNAP,FORK OUTER (Ref # 7)	92033-1005	2
DUST SHIELD,FORK OUT (Ref # 8)	92093-1036	2
CASE,DUST SHIELD (Ref # 9)	32099-1012	2
TUBE,FORK INNER (Ref # 10)	44013-1041	2
CYLINDER-FORK (Ref # 11)	44022-1030	2
"O" RING,FORK TOP (Ref # 12)	92055-1051	2
STEM,STEERING (Ref # 13)	44037-1021	1
SPRING,FORK INNER (Ref # 14)	44026-1043	2
GUIDE,FORK SPRING (Ref # 15)	44028-1004	2
GASKET,FORK CYLINDER (Ref # 16)	44045-057	2
BOOTS,FORK (Ref # 17)	49006-1009	2
BAND,BOOTS (Ref # 18)	92072-1008	2
HEAD,STEERING STEM (Ref # 19)	44039-1018	1
HOLDER,HANDLE BAR (Ref # 20)	46012-1003	2
CAP,FORK TOP (Ref # 21)	44029-1015	2
BAND,BOOTS L.H. (Ref # 22)	92072-1011	2
CLAMP,CABLE (Ref # 23)	92072-1040	1
BOLT,FORK TOP (Ref # 24)	44041-065	1
BOLT-FORK CYLINDER (Ref # 25)	44041-040	2
BOLT,FLANGED,8X40 (Ref # 26)	92001-1578	4
WASHER SPRING 8MM (Ref # 27)	461F0800	4
BOLT FLANGED 8X55 (Ref # 28)	92001-1398	9
SCREW-PAN-CROS (Ref # 29)	220B0420	2

1980 KDX175 PARTS LIST

FRONT FORK ('80 A1)

ITEM NAME	PART NUMBER	QUANTITY
NUT 8MM (Ref # 30)	311G0800	8
NUT,LOCK,8MM (Ref # 31)	92015-1124	1
WASHER (Ref # 32)	44043-052	1
WASHER PLAIN 8MM (Ref # 33)	410B0800	16
SPACER,FORK SPRING (Ref # 34)	92026-1072	1