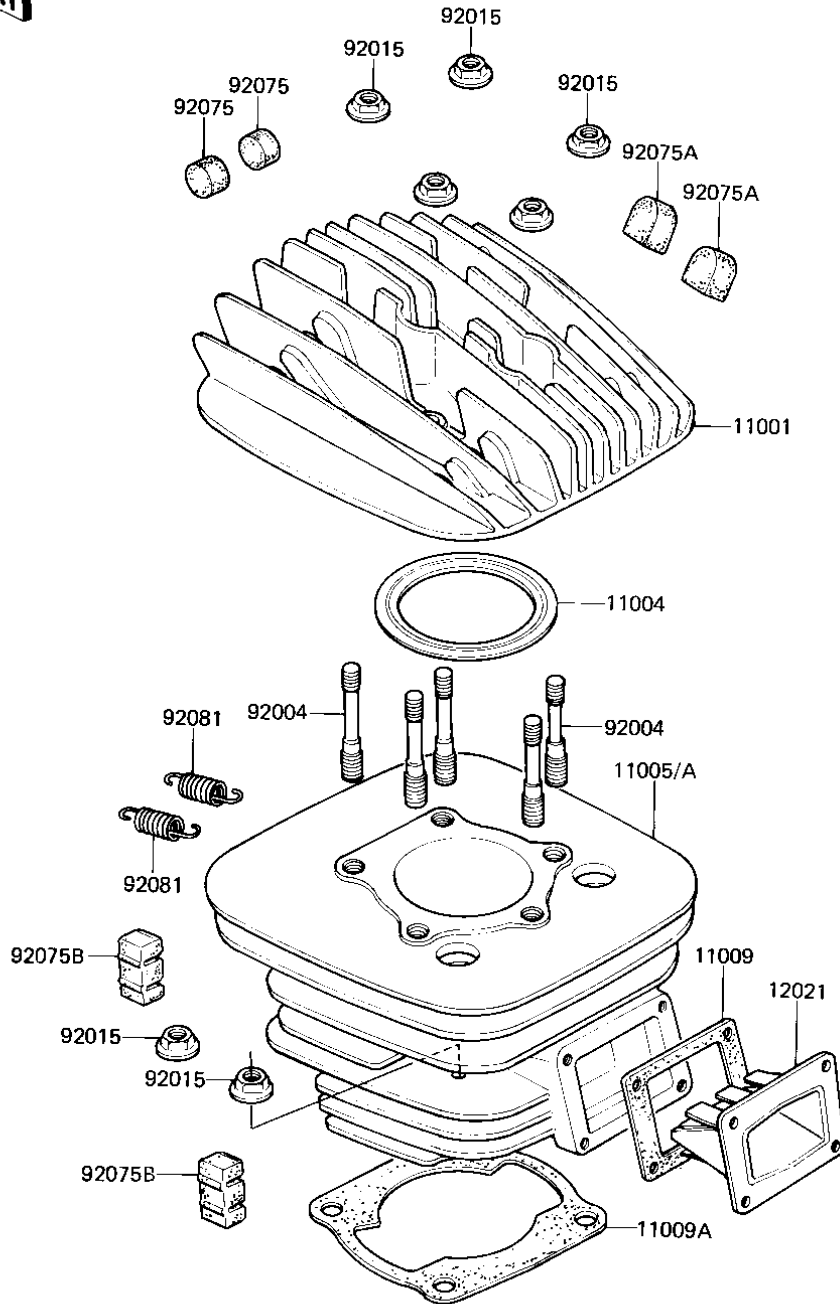


1982 KDX175 PARTS DIAGRAM

CYLINDER HEAD/CYLINDER/REED VALVE ('81-')

E1111-0035



1982 KDX175 PARTS LIST

CYLINDER HEAD/CYLINDER/REED VALVE ('81-'

ITEM NAME	PART NUMBER	QUANTITY
HEAD-CYLINDER (Ref # 11001)	11001-1052	1
GASKET-HEAD,CYLINDER (Ref # 11004)	11004-1052	1
CYLINDER-ENGINE,F.BL (Ref # 11005A)	11005-1142	1
GASKET,REED VALVE (Ref # 11009)	11009-1018	1
GASKET,CYLINDER BASE (Ref # 11009A)	11009-1175	1
VALVE ASSY,REED (Ref # 12021)	12021-1007	1
STUD,CYLINDER (Ref # 92004)	92004-1026	5
NUT-8MM (Ref # 92015)	92015-1143	9
DAMPER RUBBER,CYLIND (Ref # 92075)	92075-1018	8
DAMPER RUBBER (Ref # 92075A)	92075-1176	8
DAMPER,CYLINDER (Ref # 92075B)	92075-1229	6
SPRING-CONNECTOR (Ref # 92081)	18071-003	2