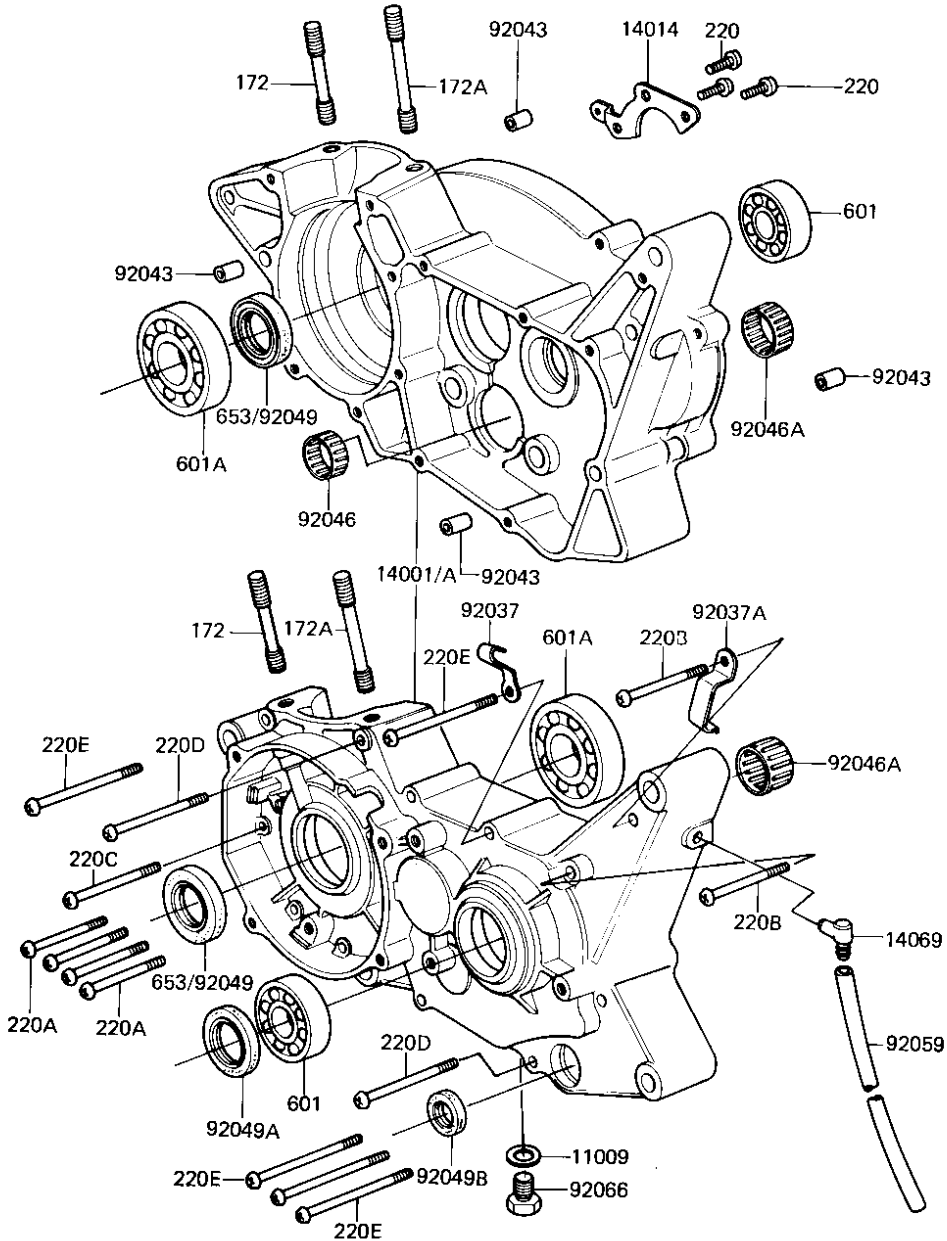


1982 KDX175 PARTS DIAGRAM

CRANKCASE ('81-'82 A2/A3)

E1411-0024



1982 KDX175 PARTS LIST

CRANKCASE ('81-'82 A2/A3)

ITEM NAME	PART NUMBER	QUANTITY
GASKET CHECK VALVE (Ref # 11009)	92065-058	1
SET-CRANKCASE (Ref # 14001A)	14001-5074	1
PLATE,POSITIONING (Ref # 14014)	14014-1003	1
BREATHER (Ref # 14069)	14069-003	1
CLAMP CABLE (Ref # 92037)	92037-016	1
CLAMP (Ref # 92037A)	92037-1073	1
PIN,DOWEL,10X8.2X14 (Ref # 92043)	92043-1037	4
BEARING,NEEDLE (Ref # 92046)	92046-043	1
BEARING,NEEDLE (Ref # 92046A)	92046-1007	2
SEAL-OIL,TBJ25407 (Ref # 92049)	92049-1068	2
OIL SEAL SC25376 (Ref # 92049A)	92050-013	1
OIL SEAL,TB13225.5 (Ref # 92049B)	92051-005	1
PIPE-BREATHER (Ref # 92059)	92059-061	1
PLUG OIL DRAIN (Ref # 92066)	92067-001	1
STUD,8X25 (Ref # 172)	92004-1008	2
STUD 8X60 (Ref # 172A)	172G0860	2
SCREW PAN HEAD 6X14 (Ref # 220)	220B0614	3
SCREW PAN HEAD 6X45 (Ref # 220A)	220B0645	4
SCREW PAN HEAD 6X50 (Ref # 220B)	220B0650	2
SCREW PAN HEAD 6X55 (Ref # 220C)	220B0655	1
SCREW PAN HEAD 6X60 (Ref # 220D)	220B0660	2
SCREW PAN HEAD 6X70 (Ref # 220E)	220B0670	5
BEARING BALL #6204 (Ref # 601)	601B6204	2
BEARING BALL #6305 (Ref # 601A)	601B6305	2