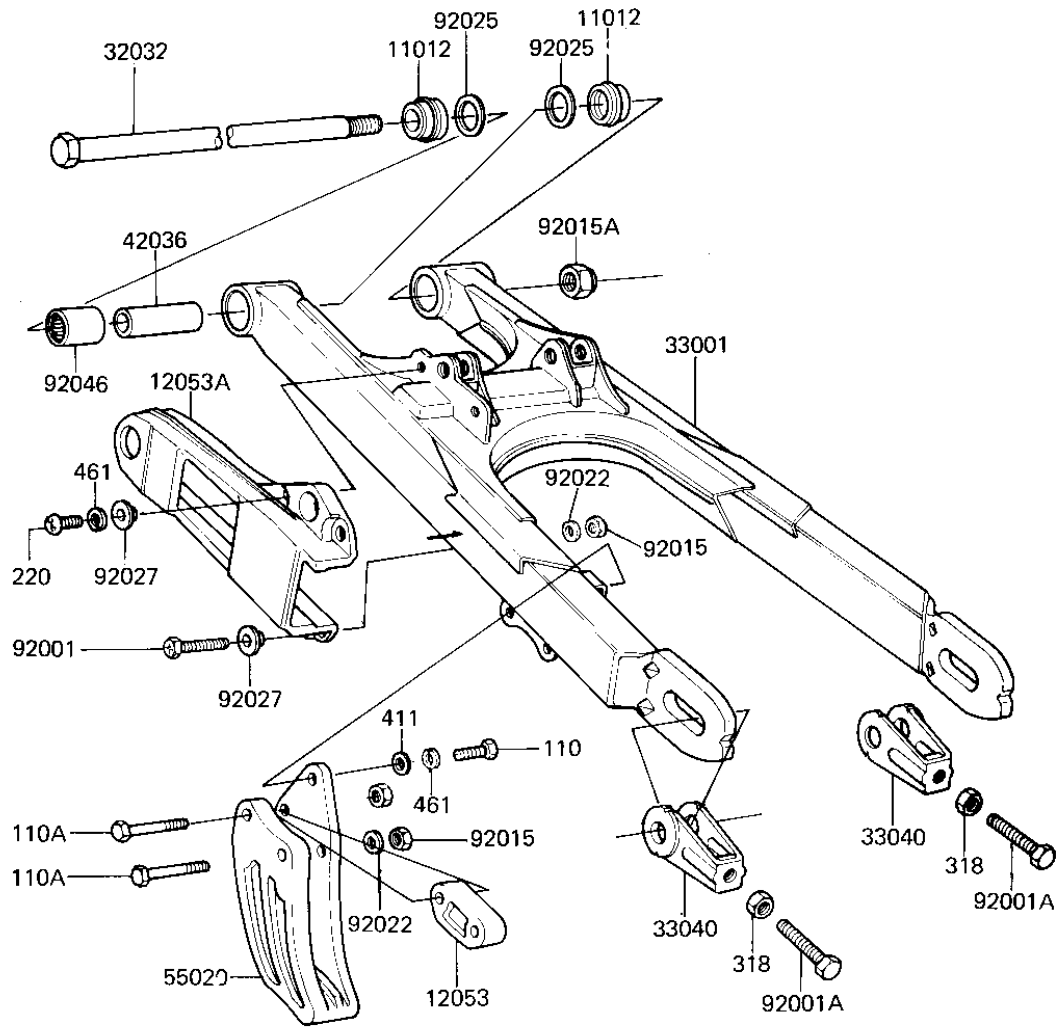


# 1982 KDX175 PARTS DIAGRAM

SWING ARM ('81-'82 A2/A3)



# 1982 KDX175 PARTS LIST

SWING ARM ('81-'82 A2/A3)

ITEM NAME	PART NUMBER	QUANTITY
CAP,SWING ARM (Ref # 11012)	11012-1099	4
GUIDE,CHAIN,REAR (Ref # 12053)	12053-1039	1
GUIDE,CHAIN,FRONT (Ref # 12053A)	12053-1043	1
ARM-COMP-SWING (Ref # 33001)	33001-1069	1
SHAFT-SWING ARM (Ref # 33032)	33032-1020	1
ADJUSTER-CHAIN (Ref # 33040)	33040-043	2
SLEEVE,SWING ARM (Ref # 42036)	42036-1031	2
GUARD,CHAIN (Ref # 55020)	55020-1038	1
BOLT,6X20,FUEL TAP (Ref # 92001)	92001-1091	2
BOLT,8X50 (Ref # 92001A)	92001-1399	2
NUT (Ref # 92015)	92019-008	4
NUT-LOCK,14MM (Ref # 92015A)	92019-011	1
WASHER 6.5X20X1.6T (Ref # 92022)	92022-125	3
SHIM,SWING ARM (Ref # 92025)	92025-1116	4
COLLAR (Ref # 92027)	92027-1260	4
BRG,NEEDLE,HMK2030 (Ref # 92046)	92046-1031	2
BOLT-UPSET (Ref # 110)	112G0625	2
BOLT-UPSET (Ref # 110A)	112G0660	2
SCREW PAN HEAD 6X14 (Ref # 220)	220B0614	2
NUT 8MM (Ref # 318)	318B0800	2
WASHER PLAIN 6MM (Ref # 411)	411B0600	2
WASHER SPRING 6MM (Ref # 461)	461F0600	4