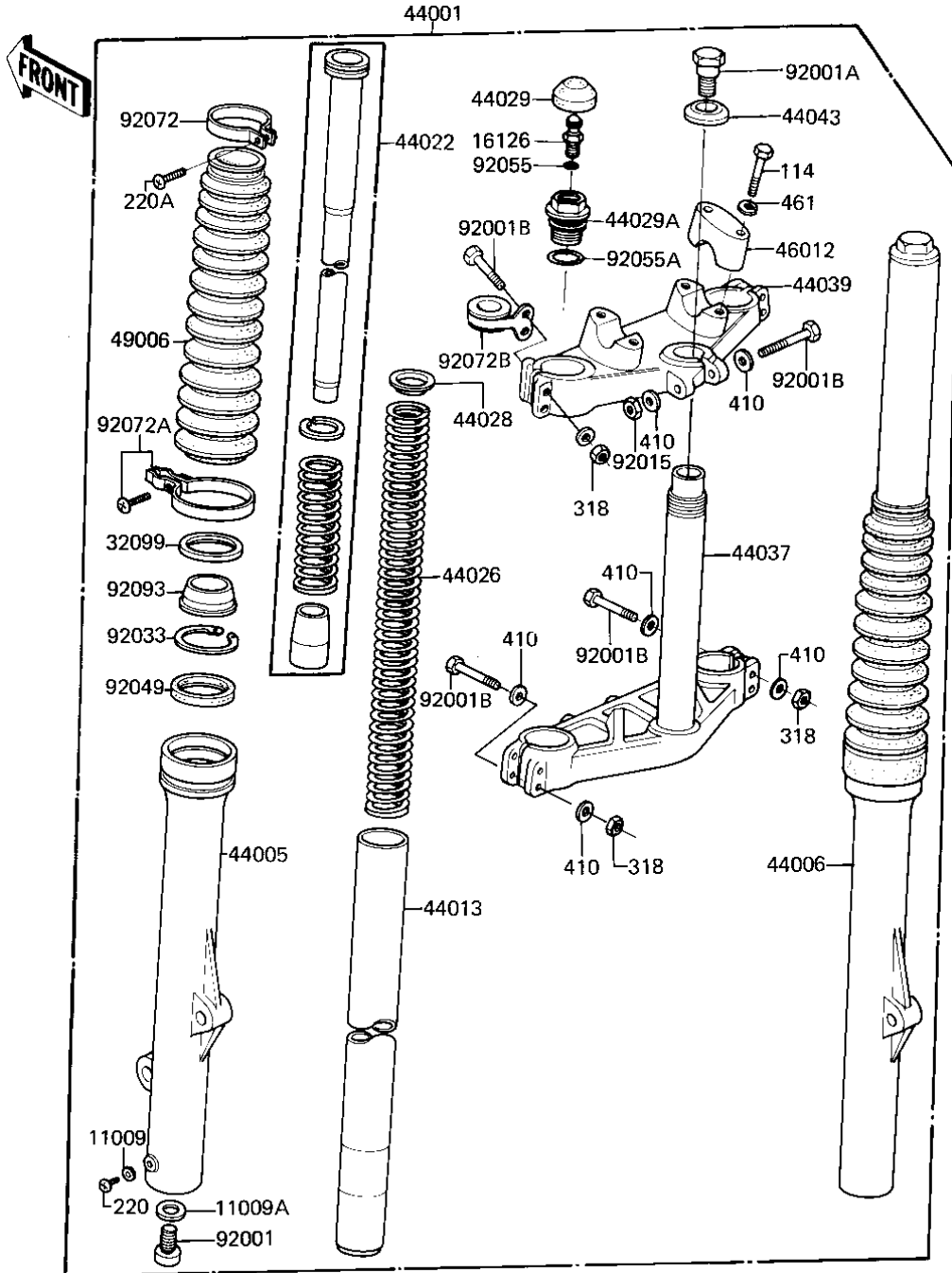


1982 KDX175 PARTS DIAGRAM

FRONT FORK ('81-'82 A2/A3)



1982 KDX175 PARTS LIST

FRONT FORK ('81-'82 A2/A3)

ITEM NAME	PART NUMBER	QUANTITY
GASKET FORK DRAIN PL (Ref # 11009)	44045-002	2
GASKET,FORK CYLINDER (Ref # 11009A)	44045-057	2
VALVE ASSY,AIR (Ref # 16126)	16126-1003	2
CASE,DUST SHIELD (Ref # 32099)	32099-1002	2
FORK-FRONT (Ref # 44001)	44001-1256	1
TUBE,LH,FORK OUTER (Ref # 44005)	44005-1030	1
TUBE,RH,FORK OUTER (Ref # 44006)	44006-1030	1
TUBE,FORK INNER (Ref # 44013)	44013-1026	2
CYLINDER-FORK (Ref # 44022)	44022-1030	2
SPRING,FORK (Ref # 44026)	44026-1038	2
GUIDE,FORK SPRING (Ref # 44028)	44028-1004	2
CAP,RUBBER,FORK TOP (Ref # 44029)	44029-1009	2
CAP,FORK TOP (Ref # 44029A)	44029-1011	2
STEM,STEERING (Ref # 44037)	44037-1021	1
HEAD,STEERING STEM (Ref # 44039)	44039-1018	1
WASHER (Ref # 44043)	44043-052	1
HOLDER,HANDLE BAR (Ref # 46012)	46012-1003	2
BOOTS,FORK (Ref # 49006)	49006-1009	2
BOLT-FORK CYLINDER (Ref # 92001)	44041-040	2
BOLT,FORK TOP (Ref # 92001A)	44041-065	1
BOLT FLANGED 8X55 (Ref # 92001B)	92001-1398	9
NUT,LOCK,8MM (Ref # 92015)	92015-1124	1
RING,SNAP,FORK OUTER (Ref # 92033)	92033-1005	2
OIL,SEAL,FORK OUTER (Ref # 92049)	92049-1009	2
"O" RING,AIR VALVE (Ref # 92055)	92055-1018	2
"O" RING,FORK TOP (Ref # 92055A)	92055-1051	2
BAND,BOOTS (Ref # 92072)	92072-1008	2
BAND,BOOTS L.H. (Ref # 92072A)	92072-1011	2
CLAMP,CABLE (Ref # 92072B)	92072-1040	1

1982 KDX175 PARTS LIST

FRONT FORK ('81-'82 A2/A3)

ITEM NAME	PART NUMBER	QUANTITY
DUST SHIELD,FORK (Ref # 92093)	92093-1007	2
BOLT,8X40 (Ref # 114)	115G0840	4
SCREW PAN HEAD 4X8 (Ref # 220)	220B0408	2
SCREW-PAN-CROS (Ref # 220A)	220B0420	1
NUT 8MM (Ref # 318)	318G0800	8
WASHER PLAIN 8MM (Ref # 410)	410B0800	16
WASHER SPRING 8MM (Ref # 461)	461F0800	4