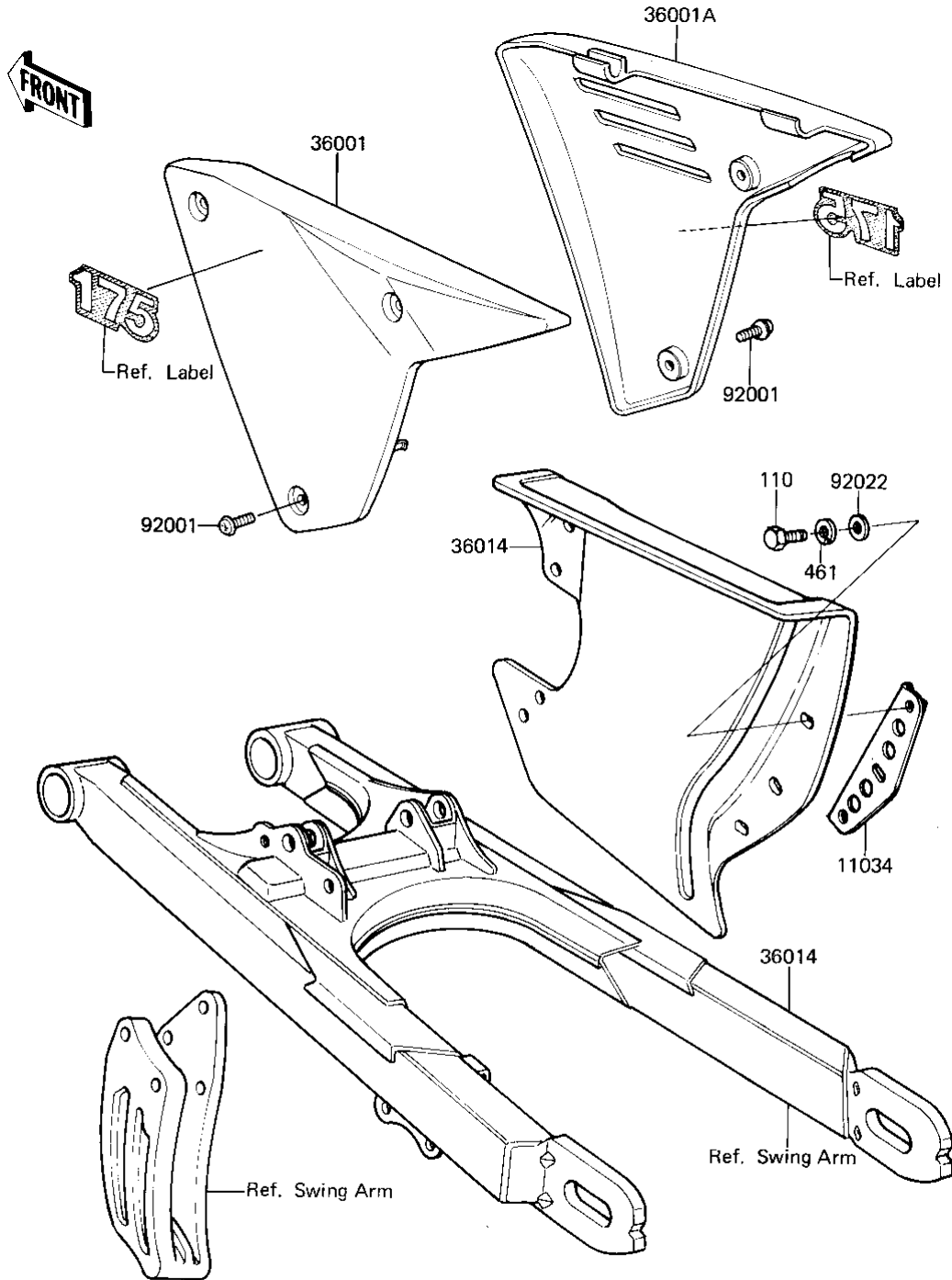


1982 KDX175 PARTS DIAGRAM

SIDE COVERS/CHAIN COVER ('81-'82 A2/A3)



1982 KDX175 PARTS LIST

SIDE COVERS/CHAIN COVER ('81-'82 A2/A3)

ITEM NAME	PART NUMBER	QUANTITY
BRACKET,CHAIN CASE,F (Ref # 11034)	11034-1841	1
COVER,SIDE,LH,L.GREE (Ref # 36001)	36001-1087-6W	1
COVER-SIDE,L.GREEN (Ref # 36001A)	36001-1105-6W	1
CASE-CHAIN (Ref # 36014)	36014-1029	1
SCREW,6X14 (Ref # 92001)	92009-1287	5
WASHER 6.5X20X1.6T (Ref # 92022)	92022-125	1
BOLT-UPSET 6X14 (Ref # 110)	112B0614	1
WASHER SPRING 6MM (Ref # 461)	461F0600	1