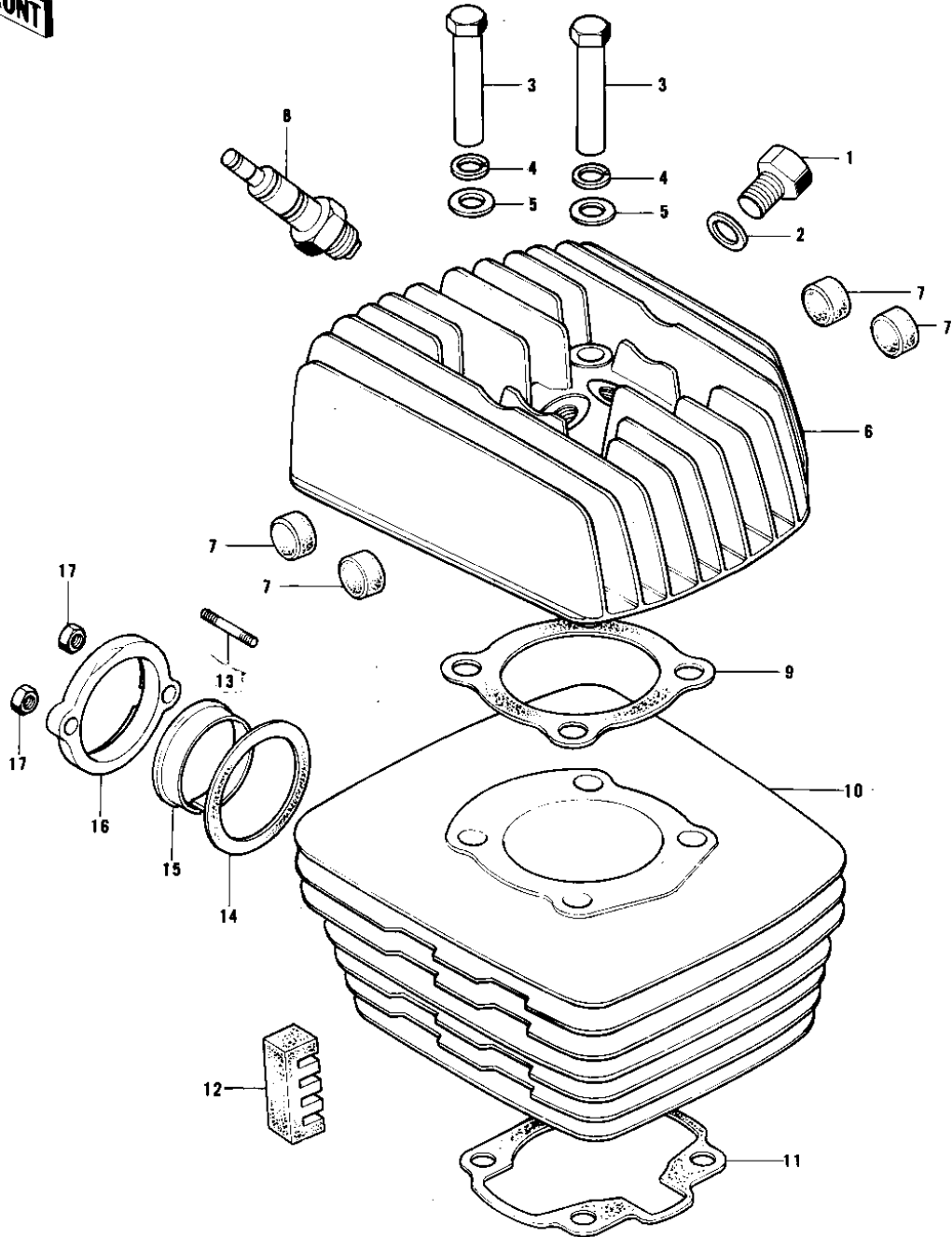


# 1978 KE175 PARTS DIAGRAM

CYLINDER HEAD/CYLINDER



## 1978 KE175 PARTS LIST

### CYLINDER HEAD/CYLINDER

ITEM NAME	PART NUMBER	QUANTITY
PLUG-CYLINDER HEAD (Ref # 1)	92067-005	
GASKET-CYL HEAD PLUG (Ref # 2)	92065-068	
NUT 8MM (Ref # 3)	92015-020	
WASHER SPRING 12MM (Ref # 4)	461F1200	
WASHER PLAIN 12MM (Ref # 5)	92022-072	
CYLINDER HEAD,BLACK (Ref # 6)	11001-104-21	
DAMPER RUBBER (Ref # 7)	92075-075	
SPARK PLUG B9HS1 (Ref # 8)	B9HS1	
GASKET-CYLINDER HEAD (Ref # 9)	11004-042	
CYLINDER,F.BLACK (Ref # 10)	11005-1025	
GASKET,CYLINDER BASE (Ref # 11)	11009-041	
DAMPER RUBBER-CYLINDER (Ref # 12)	92075-142	
STUD 8X30 (Ref # 13)	172G0830	
GASKET EXHAUST PIPE (Ref # 14)	18067-008	
INSERT,EXHAUST HOLDER (Ref # 15)	18070-007	
HOLDER,EXHAUST PIPE (Ref # 16)	18069-051	
HOLDER,EXHAUST (Ref # 16)	18069-049	
NUT,LOCK,8MM (Ref # 17)	92017-013	