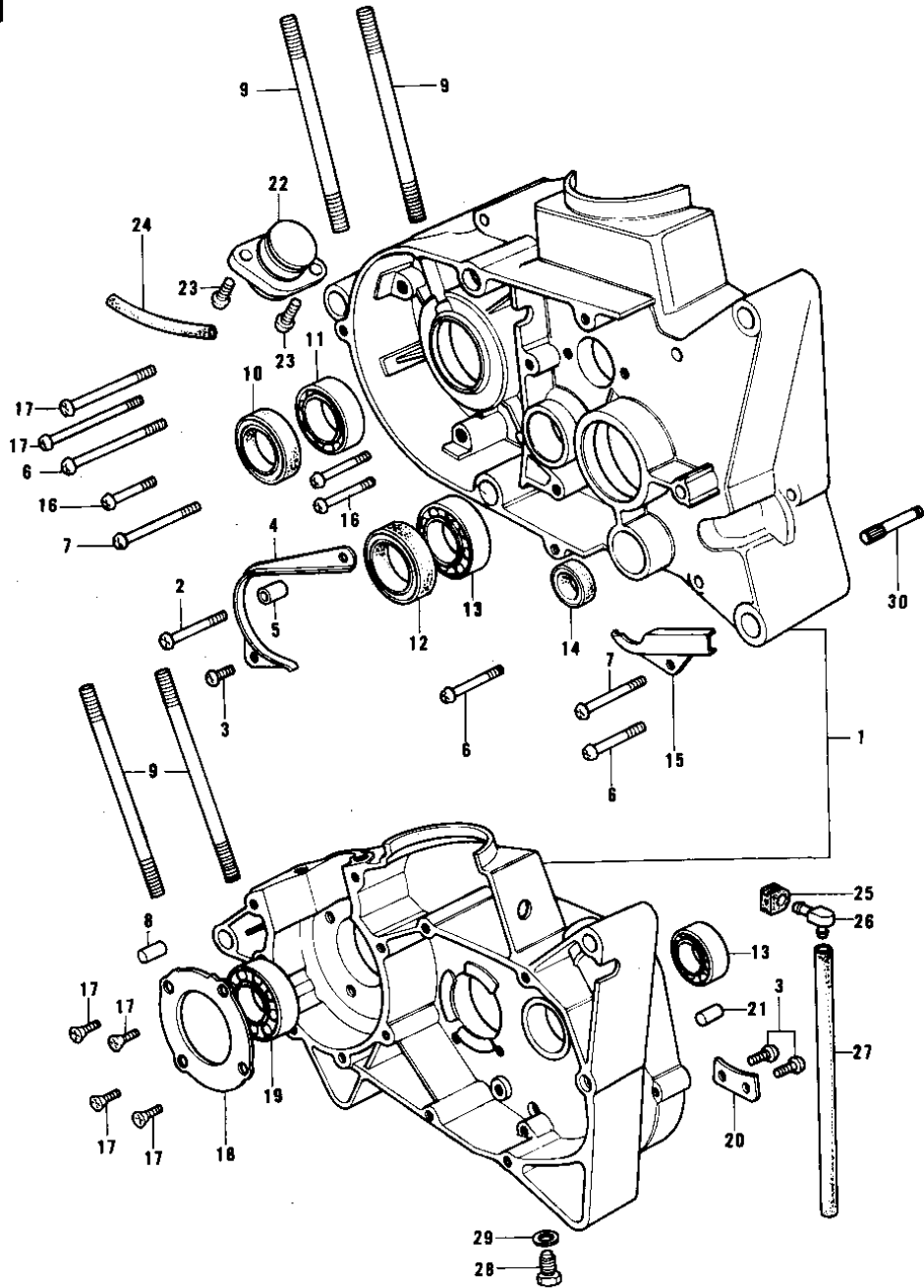


1978 KE175 PARTS DIAGRAM

CRANKCASE



1978 KE175 PARTS LIST

CRANKCASE

ITEM NAME	PART NUMBER	QUANTITY
-----------	-------------	----------