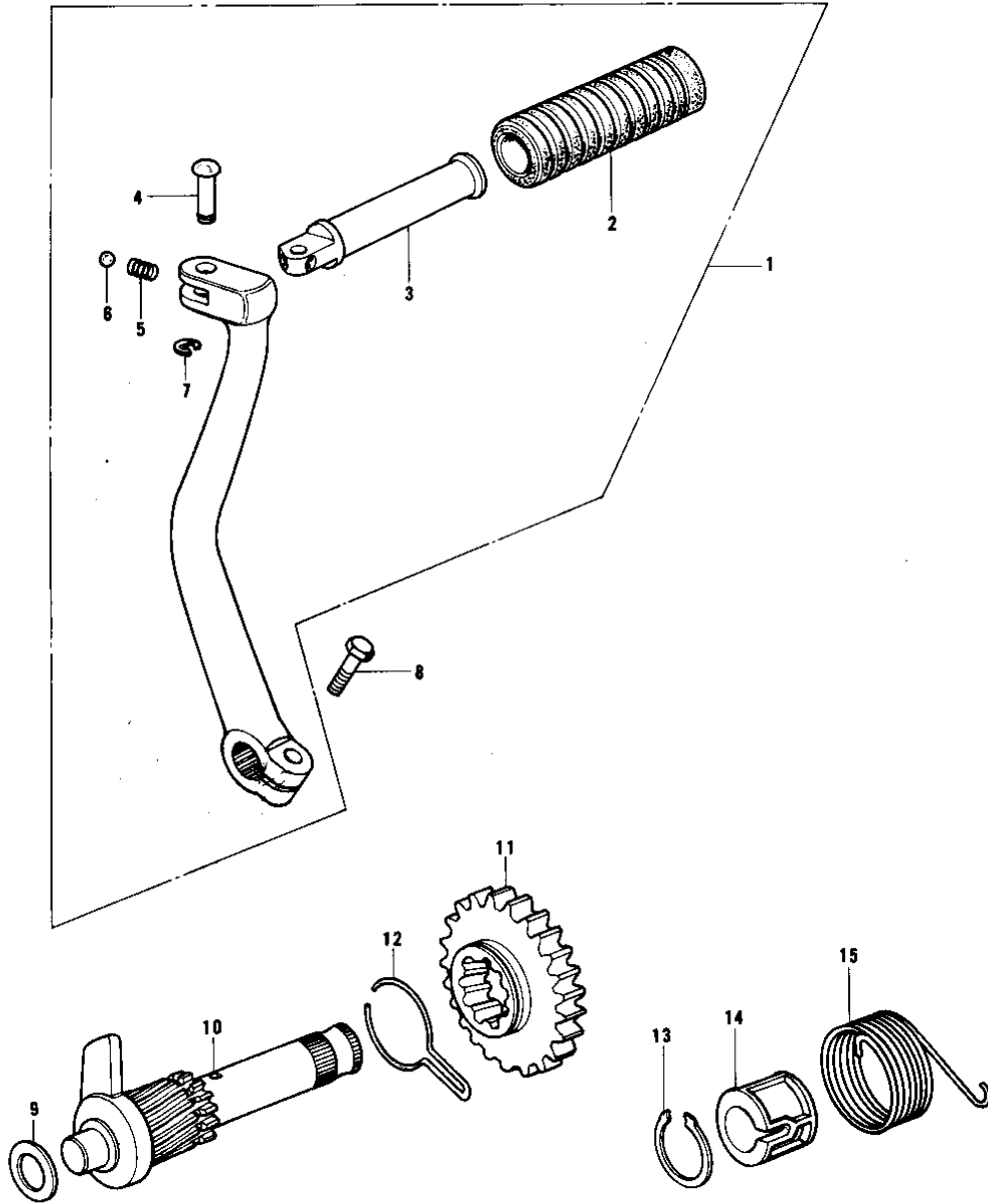


1978 KE175 PARTS DIAGRAM

KICKSTARTER MECHANISM



1978 KE175 PARTS LIST

KICKSTARTER MECHANISM

| ITEM NAME | PART NUMBER | QUANTITY |
|---------------------------------|-------------|----------|
| PEDAL ASSY,KICK (Ref # 1) | 13064-020 | |
| RUBBER KICK PEDAL (Ref # 2) | 13063-002 | |
| LEVER,KICK PEDAL (Ref # 3) | 13060-003 | |
| PIN-KICK PEDAL (Ref # 4) | 92043-088 | |
| SPRING-KICK STARTER (Ref # 5) | 92081-049 | |
| BALL-STEEL,11/32" (Ref # 6) | 600A1100 | |
| CIRCLIP 5MM (Ref # 7) | 482K5000 | |
| BOLT-SMALL-UPSET 8X25 (Ref # 8) | 115G0825 | |
| SHIM-KICK SHAFT,0.5T (Ref # 9) | 92022-150 | |
| SHAFT,KICK (Ref # 10) | 13245-010 | |
| GEAR-KICKSTARTER (Ref # 11) | 13068-026 | |
| HOLDER KICK GEAR (Ref # 12) | 13077-002 | |
| CIRCLIP (Ref # 13) | 92033-022 | |
| GUIDE,KICK SPRING (Ref # 14) | 13070-010 | |
| SPRING,KICKSTARTER (Ref # 15) | 92082-005 | |