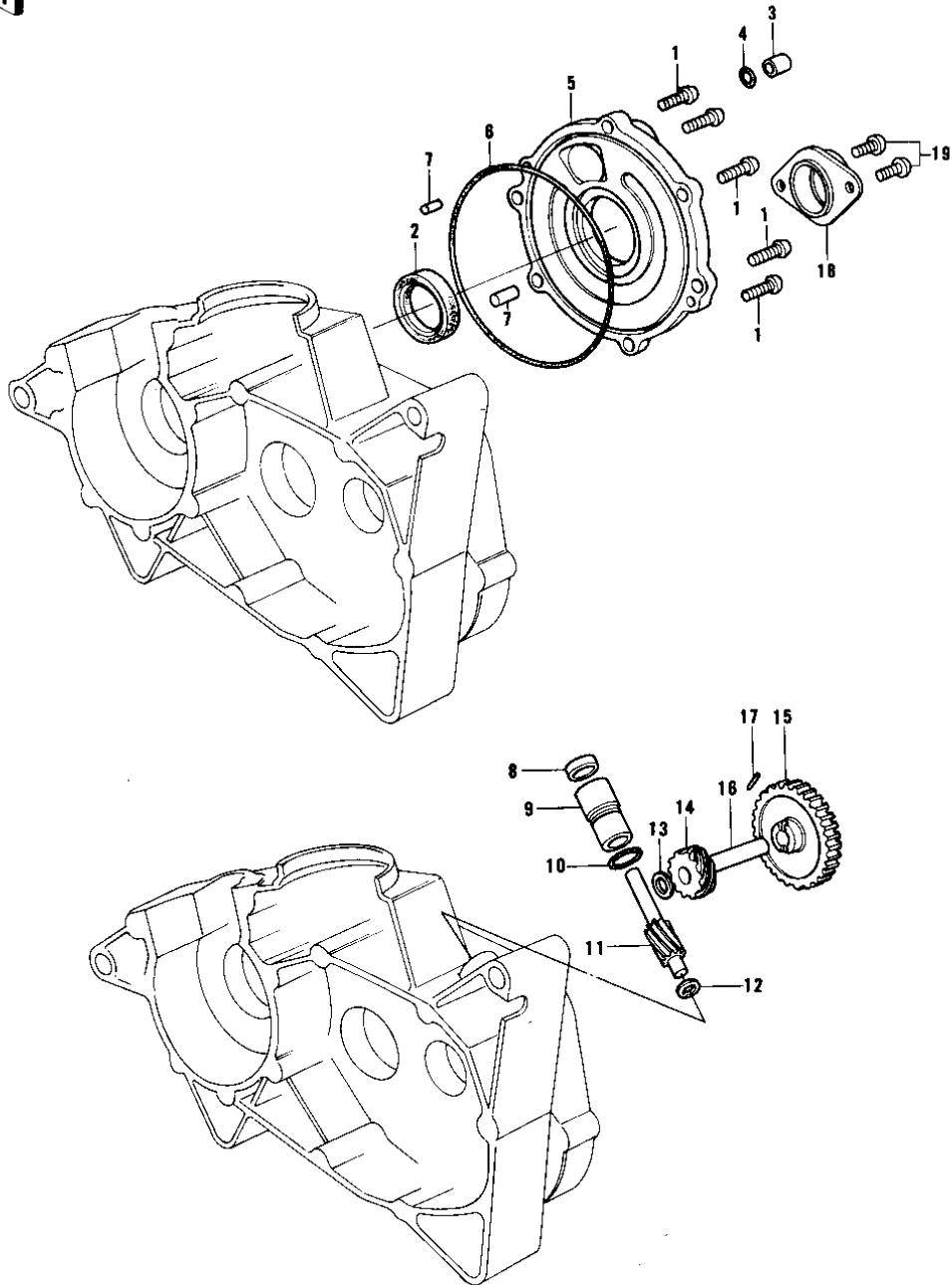


# 1978 KE175 PARTS DIAGRAM

ROTARY VALVE COVER/TACH. DRIVE



## 1978 KE175 PARTS LIST

### ROTARY VALVE COVER/TACH. DRIVE

ITEM NAME	PART NUMBER	QUANTITY
SCREW PAN HEAD 6X20 (Ref # 1)	220B0620	
OIL SEAL TB32457 (Ref # 2)	653B324507	
COLLAR,VALU COVER (Ref # 3)	92027-243	
"0" RING,CHECK VALVE (Ref # 4)	92055-037	
COVER,ROTARY DISC VL (Ref # 5)	14019-053	
"0" RING,120MM (Ref # 6)	92055-019	
PIN DOWEL 5X12 (Ref # 7)	610A0512	
OIL SEAL (Ref # 8)	92054-004	
BUSH-TACHOMETER GEAR (Ref # 9)	92028-095	
"0" RING (Ref # 10)	92055-025	
GEAR TACHOMETER (Ref # 11)	13223-003	
WASHER THRUST (Ref # 12)	92026-026	
WASHER THRUST (Ref # 13)	92026-025	
GEAR-TACHOMETER (Ref # 14)	13224-007	
GEAR-OIL PUMP (Ref # 15)	16085-016	
SHAFT-OIL PUMP (Ref # 16)	16086-002	
PIN,DOWEL (Ref # 17)	92042-035	
HOLDER,CARBURETOR (Ref # 18)	16065-026	
SCREW PAN HEAD 6X12 (Ref # 19)	220B0612	