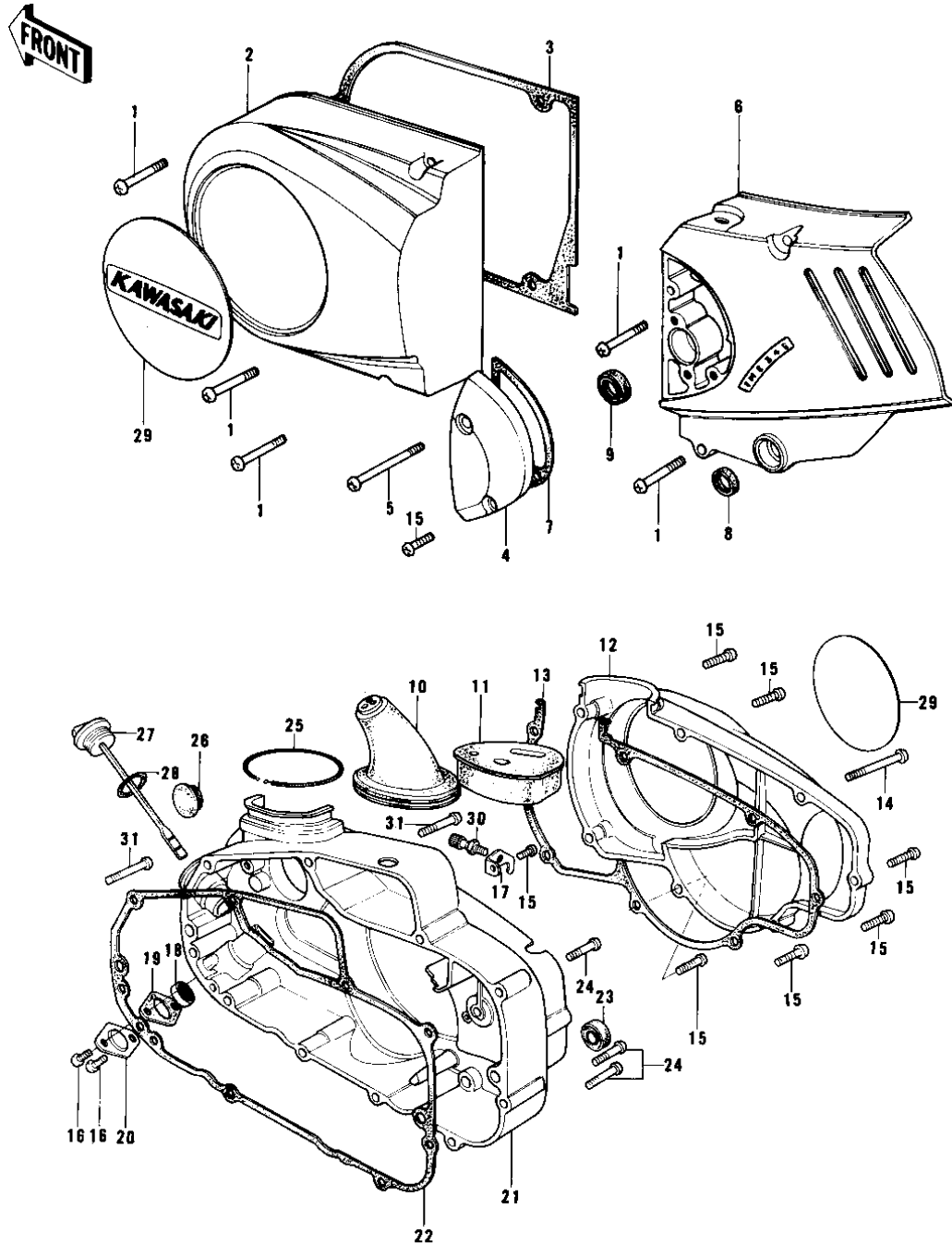


# 1978 KE175 PARTS DIAGRAM

## ENGINE COVERS



# 1978 KE175 PARTS LIST

## ENGINE COVERS

ITEM NAME	PART NUMBER	QUANTITY
SCREW PAN HEAD 6X45 (Ref # 1)	220B0645	
COVER,L.H ENGINE,BARE (Ref # 2)	14031-091-2H	
GASKET,L.H ENGINE COV (Ref # 3)	14045-024	
COVER,CLUTCH RELESE (Ref # 4)	14030-065-2H	
SCREW PAN HEAD 6X80 (Ref # 5)	220B0680	
COVER,FRONT CHAIN,BAR (Ref # 6)	14026-031-2H	
GASKET,CLUTCH REL COV (Ref # 7)	14049-005	
SEAL-OIL (Ref # 8)	92049-1249	
OIL SEAL,VC7205 (Ref # 9)	92052-013	
CAP,CARBURETOR (Ref # 10)	14038-043	
CAP,CARBURETOR (Ref # 11)	14038-044	
CAP,CLUTCH RELEASE,BL (Ref # 12)	14030-1004	
GASKET,CARBURETOR COV (Ref # 13)	14048-006	
SCREW PAN HEAD 6X85 (Ref # 14)	220B0685	
SCREW PAN HEAD 6X20 (Ref # 15)	220B0620	
SCREW PAN HEAD 6X12 (Ref # 16)	220B0612	
HOLDER,OIL PUMP CABL (Ref # 17)	14044-011	
DRAIN,FUEL (Ref # 18)	16116-006	
GASKET,FUEL DRAIN (Ref # 19)	14049-006	
CAP,FUEL DRAIN (Ref # 20)	14028-007	
COVER,R.H ENGINE,BARE (Ref # 21)	14032-110-2H	
GASKET,R.H ENGINE COV (Ref # 22)	14046-032	
OIL SEAL TB16267 (Ref # 23)	92051-003	
SCREW PAN HEAD 6X35 (Ref # 24)	220B0635	
SPRING COIL (Ref # 25)	92081-047	
CAP CARB MOUNT HOLE (Ref # 26)	14039-001	
PLUG,OIL FILLER (Ref # 27)	16115-023	
"O" RING,20MM (Ref # 28)	670B2020	
EMBLEM,ENGINE COVER (Ref # 29)	56018-205	

# 1978 KE175 PARTS LIST

## ENGINE COVERS

ITEM NAME	PART NUMBER	QUANTITY
ADJUSTER,CABLE (Ref # 30)	16002-012	
SCREW PAN HEAD 6X50 (Ref # 31)	220B0650	