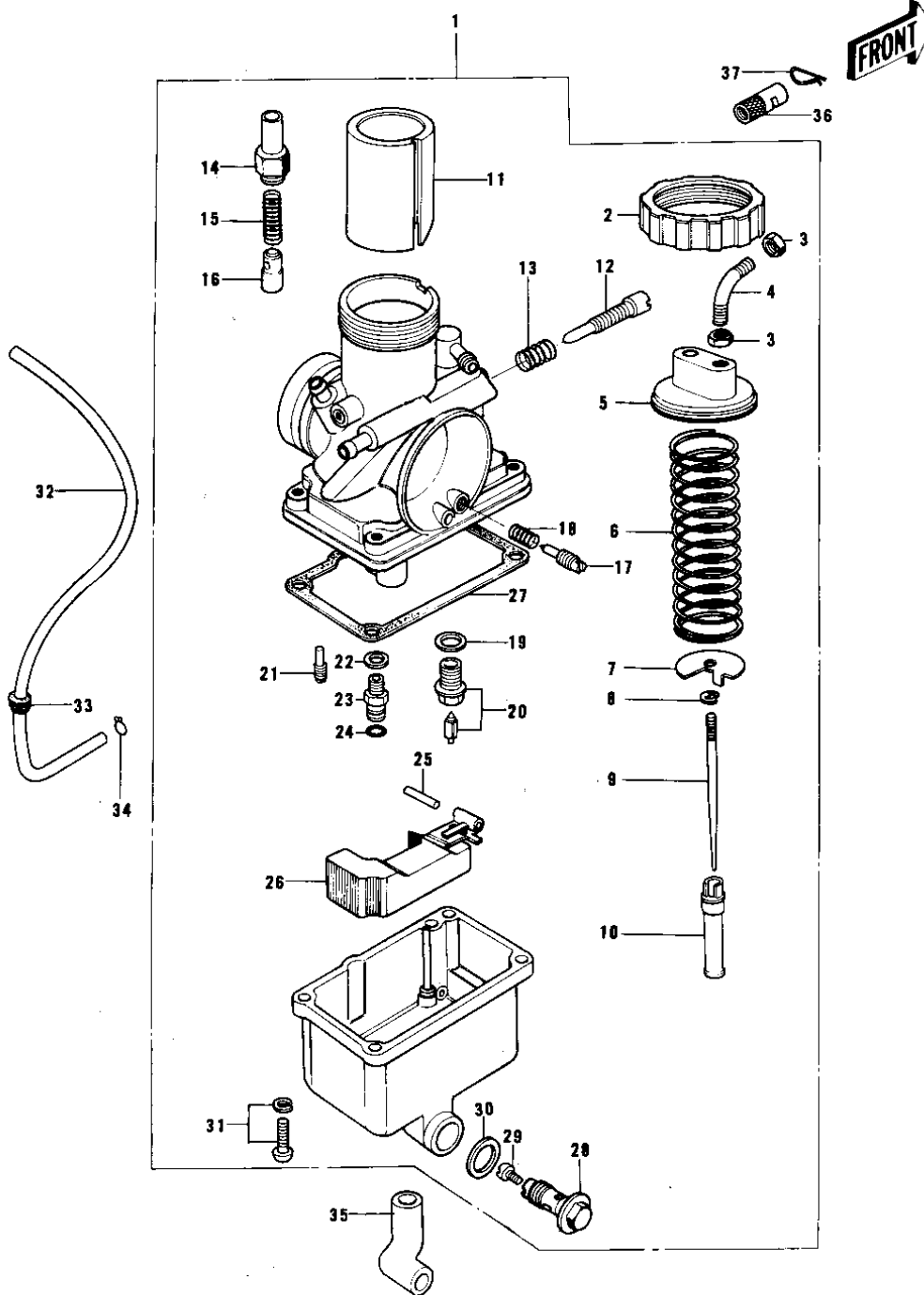


1976 KE175 PARTS DIAGRAM

CARBURETOR



1976 KE175 PARTS LIST

CARBURETOR

ITEM NAME	PART NUMBER	QUANTITY
CARBURETOR ASSY (Ref # 1)	16001-241	1
CAP MIXING CHAMBER (Ref # 2)	16004-011	1
NUT CABLE ADJUST LOCK (Ref # 3)	16003-004	2
GUIDE,CABLE (Ref # 4)	16077-009	1
TOP,MIXING CHAMBER (Ref # 5)	16005-025	1
SPRING,THROTTLE VALVE (Ref # 6)	16006-029	1
SPRING,THROTTLE (Ref # 6)	16006-031	1
SPRING SEAT,THRTL VLV (Ref # 7)	16007-025	1
CIRCLIP (Ref # 8)	16008-010	1
JET NEEDLE 4EJ3 (Ref # 9)	16009-040	1
NEEDLE JET,0-8 (Ref # 10)	16017-094	1
NEEDLE JET,0-8 (Ref # 10)	16017-094	1
VALVE,THROTTLE (Ref # 11)	16025-079	1
SCREW,THROTTLE STOP (Ref # 12)	16021-023	1
SPRING THR STOP SCREW (Ref # 13)	16022-005	1
CAP,STARTER PLUNGER (Ref # 14)	16012-017	1
SPRING-PLUNGER (Ref # 15)	16013-003	1
PLUNGER-ENRICHNER (Ref # 16)	16016-002	1
SCREW PILOT AIR ADJST (Ref # 17)	16014-002	1
SPRING-THR STOP SCREW (Ref # 18)	16022-007	1
WASHER FLOAT VLV SEAT (Ref # 19)	16029-004	1
FLOAT VALVE ASSY,#2.6 (Ref # 20)	16030-025	1
JET-PILOT NO 30 (Ref # 21)	92064-022	1
WASHER MAIN JET (Ref # 22)	16034-001	1
HOLDER-NEEDLE JET (Ref # 23)	16065-008	1
"0" RING (Ref # 24)	92055-044	1
FLOAT PIN (Ref # 25)	16032-006	1
FLOAT (Ref # 26)	16031-026	1
GASKET,FLOAT CHAMBER (Ref # 27)	16019-023	1

1976 KE175 PARTS LIST

CARBURETOR

ITEM NAME	PART NUMBER	QUANTITY
BOLT-BANJO (Ref # 28)	92001-097	1
MAIN JET,#A100 (Ref # 29)	92063-1033	1
MAIN JET,#A95 (Ref # 29)	92063-1031	1
MAIN JET,#A97.5R (Ref # 29)	92063-1035	1
MAIN JET,#A102.5 (Ref # 29)	92063-1028	1
MAIN JET,#A105R (Ref # 29)	92063-1042	1
JET-MAIN NO 107.5R (Ref # 29)	92063-073	1
GASKET-BANJO BOLT (Ref # 30)	16034-005	1
SCREW-PAN-WS-CROS (Ref # 31)	223B0414	1
PIPE-OIL (Ref # 32)	92059-072	1
GROMMET PIPE (Ref # 33)	92071-038	1
CLAMP FUEL PIPE (Ref # 34)	92037-010	2
GROMMET,OVERFLOW (Ref # 35)	16136-011	1
ADJUSTER,CABLE (Ref # 36)	16002-016	1
CIRCLIP (Ref # 37)	92036-018	1