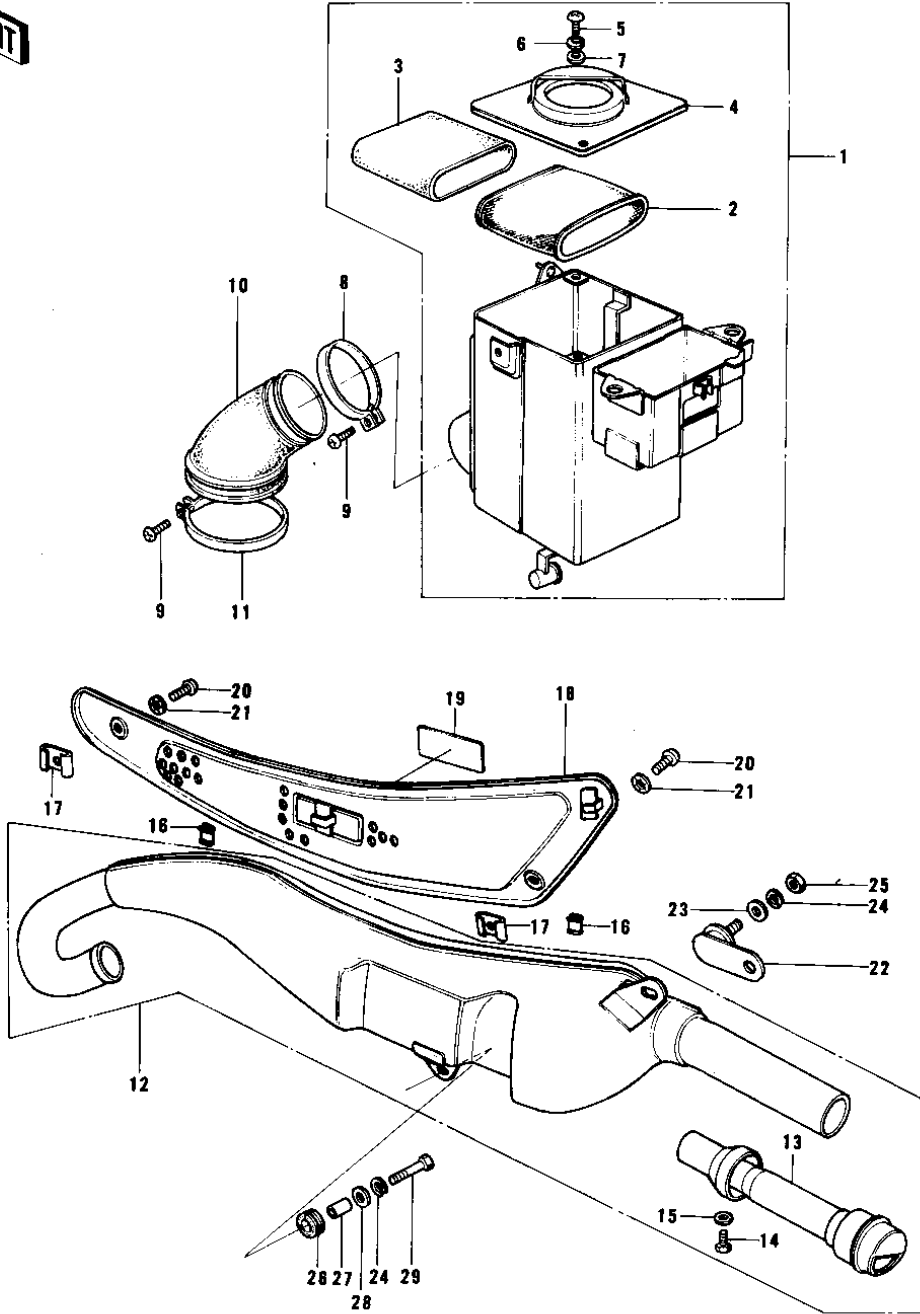


1978 KE175 PARTS DIAGRAM

AIR CLEANER/MUFFLER



1978 KE175 PARTS LIST

AIR CLEANER/MUFFLER

ITEM NAME	PART NUMBER	QUANTITY
AIR CLEANER ASY,BLACK (Ref # 1)	11010-071-21	
HOLDER,CLENER ELEMENT (Ref # 2)	11014-011	
ELEMENT,AIR CLNR (Ref # 3)	11013-1033	
CAP,AIR CLEANER,BLACK (Ref # 4)	11012-039-21	
SCREW PAN HEAD 6X12 (Ref # 5)	220B0612	
WASHER SPRING 6MM (Ref # 6)	461F0600	
WASHER PLAIN 6MM (Ref # 7)	411B0600	
CLAMP,AIR CLEANER (Ref # 8)	92037-129	
SCREW-PAN-CROS,6X35,B (Ref # 9)	220C0635	
CONNECTOR,AIR CLEANER (Ref # 10)	11026-014	
CLAMP,AIR CLEANER (Ref # 11)	92037-128	
MUFFLER ASSY,BLACK (Ref # 12)	18001-150-21	
BAFFLE TUBE (Ref # 13)	18033-091	
BOLT-UPSET,6X12 (Ref # 14)	112G0612	
WASHER-PLAIN (Ref # 15)	92022-183	
INSULATOR (Ref # 16)	18065-007	
INSULATOR,HEAT (Ref # 17)	18065-010	
COVER,MUFFLER (Ref # 18)	18064-014	
EMBLEM MUFFLER COVER (Ref # 19)	56018-225	
SCREW PAN HEAD 6X12 (Ref # 20)	220E0612	
WASHER LOCK 6MM (Ref # 21)	463H0600	
BRACKET,MUFFLER (Ref # 22)	18061-054	
WASHER,8.5X20X1.6 (Ref # 23)	92022-1561	
WASHER SPRING 8MM (Ref # 24)	461F0800	
NUT,8MM (Ref # 25)	311B0800	
DAMPER RUBBER-MUFFLER (Ref # 26)	18063-005	
COLLAR (Ref # 27)	92027-102	
WASHER,8X26X2.3 (Ref # 28)	92022-1564	
BOLT-SMALL-UPSET,8X30 (Ref # 29)	115G0830	