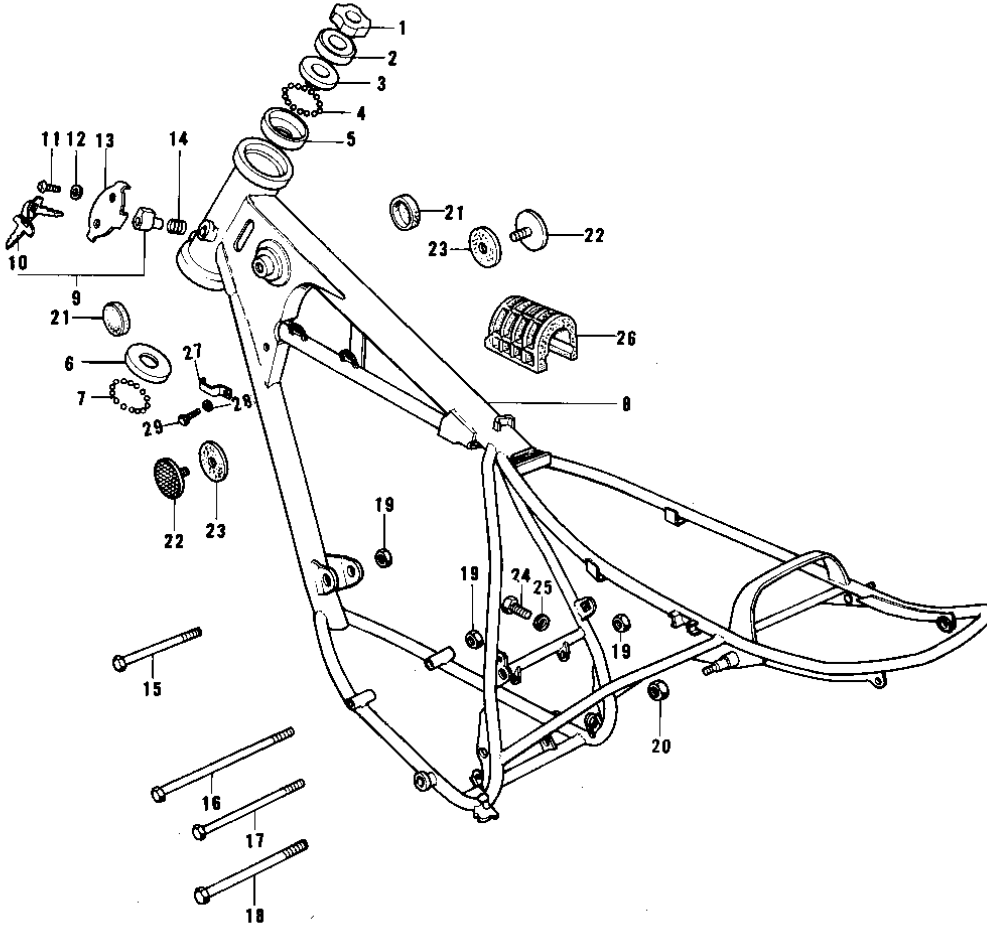


1978 KE175 PARTS DIAGRAM

FRAME/FRAME FITTINGS



1978 KE175 PARTS LIST

FRAME/FRAME FITTINGS

ITEM NAME	PART NUMBER	QUANTITY
NUT,STEERING STEM (Ref # 1)	92090-022	
CAP,STEERING STEM (Ref # 2)	46098-012	
CONE,STRG STM BRG,UP (Ref # 3)	92047-014	
BALL STEEL 3/16' (Ref # 4)	600A0600	
RACE,STRG STM BEARING (Ref # 5)	92048-009	
RACE STEERING BEARING (Ref # 6)	92048-005	
BALL STEEL 1/4' (Ref # 7)	600A0800	
FRAME (Ref # 8)	32002-1080	
LOCK ASSY,STEERING (Ref # 9)	27016-042	
KEY SET #431 (Ref # 10)	27008-054-31	
KEY SET #432 (Ref # 10)	27008-054-32	
KEY SET #433 (Ref # 10)	27008-054-33	
KEY SET # 434 (Ref # 10)	27008-054-34	
KEY SET #435 (Ref # 10)	27008-054-35	
KEY SET #436 (Ref # 10)	27008-054-36	
KEY SET #437 (Ref # 10)	27008-054-37	
KEY SET #438 (Ref # 10)	27008-054-38	
KEY SET #439 (Ref # 10)	27008-054-39	
KEY SET #440 (Ref # 10)	27008-054-40	
SCREW-TAPPING (Ref # 11)	92008-007	
WASHER (Ref # 12)	92097-003	
CAP,STEERING LOCK (Ref # 13)	11012-1134	
CAP,STEERING LOCK (Ref # 13)	11012-1134	
SPRING-STEERING LOCK (Ref # 14)	27032-001	
BOLT,FLANGED,10X70 (Ref # 15)	92001-1618	
BOLT FLANGED 10X220 (Ref # 16)	92002-1197	
BOLT,HEX HEAD,10X120 (Ref # 17)	92001-1247	
BOLT,HEX HEAD,12X115 (Ref # 18)	113B12115	
NUT,LOCK,10MM (Ref # 19)	92019-021	

1978 KE175 PARTS LIST

FRAME/FRAME FITTINGS

ITEM NAME	PART NUMBER	QUANTITY
NUT-LOCK,12MM (Ref # 20)	92019-009	
DAMPER RUBBER-FL TANK (Ref # 21)	92075-101	
REFLECTOR,REFLEX,REAR (Ref # 22)	28012-009	
DAMPER RUBBER,REFLECT (Ref # 23)	92094-011	
BOLT 6X22 (Ref # 24)	112B0622	
BOLT 6X32 (Ref # 24)	110B0632	
NUT 6MM (Ref # 25)	311B0600	
DAMPER RUBBER (Ref # 26)	92075-284	
CLAMP,WIRE HARNESS (Ref # 27)	92037-150	
WASHER SPRING 6MM (Ref # 28)	461F0600	
BOLT-UPSET 6X14 (Ref # 29)	112B0614	