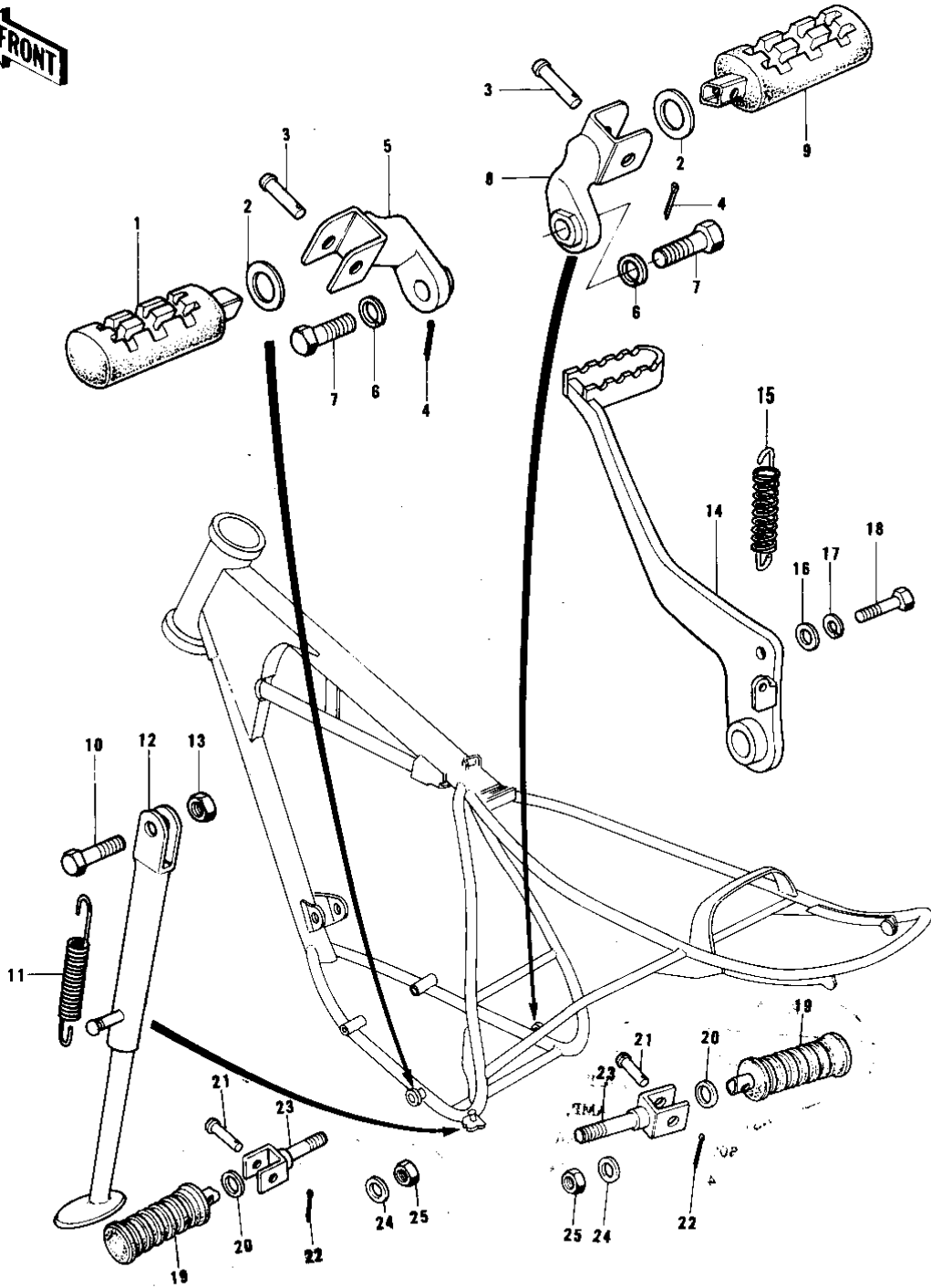


1978 KE175 PARTS DIAGRAM

FOOTRESTS/STAND/BRAKE PEDAL



1978 KE175 PARTS LIST

FOOTRESTS/STAND/BRAKE PEDAL

ITEM NAME	PART NUMBER	QUANTITY
STEP-ASSY,FR,LH (Ref # 1)	34027-1114	
WASHER,PLAIN (Ref # 2)	92022-250	
PIN-FOOTREST BAR FIT (Ref # 3)	92043-080	
PIN COTTER 2.5X16 (Ref # 4)	550D2516	
BRACKET,L.H.FOOTREST (Ref # 5)	34007-013	
WASHER SPRING 14MM (Ref # 6)	461F1400	
BOLT-HEX HEAD,14X32 (Ref # 7)	113B1432	
BRACKET,R.H FOOTREST (Ref # 8)	34007-014	
STEP-ASSY,FR,RH (Ref # 9)	34027-1115	
BOLT,HEX HEAD 10X35 (Ref # 10)	92001-1252	
SPRING,SIDE STAND (Ref # 11)	34025-008	
STAND-SIDE (Ref # 12)	34024-1043	
NUT,10MM (Ref # 13)	314B1000	
PEDAL,BRAKE (Ref # 14)	43001-065	
SPRING BRAKE PEDAL (Ref # 15)	43005-032	
WASHER-PLAIN (Ref # 16)	92022-193	
WASHER SPRING 6MM (Ref # 17)	461F0600	
SCREW PAN HEAD 6X10 (Ref # 18)	220E0610	
RUBBER,FOOTREST (Ref # 19)	92076-027	
WASHER-PLAIN (OPT) (Ref # 20)	92022-199	
PIN (Ref # 21)	92043-1464	
PIN,COTTER,2.0X12 (Ref # 22)	550D2012	
BRACKET,REAR FOOTREST (Ref # 23)	34029-013	
WASHER SPRING 10MM (Ref # 24)	461F1000	
NUT,10MM (Ref # 25)	314B1000	