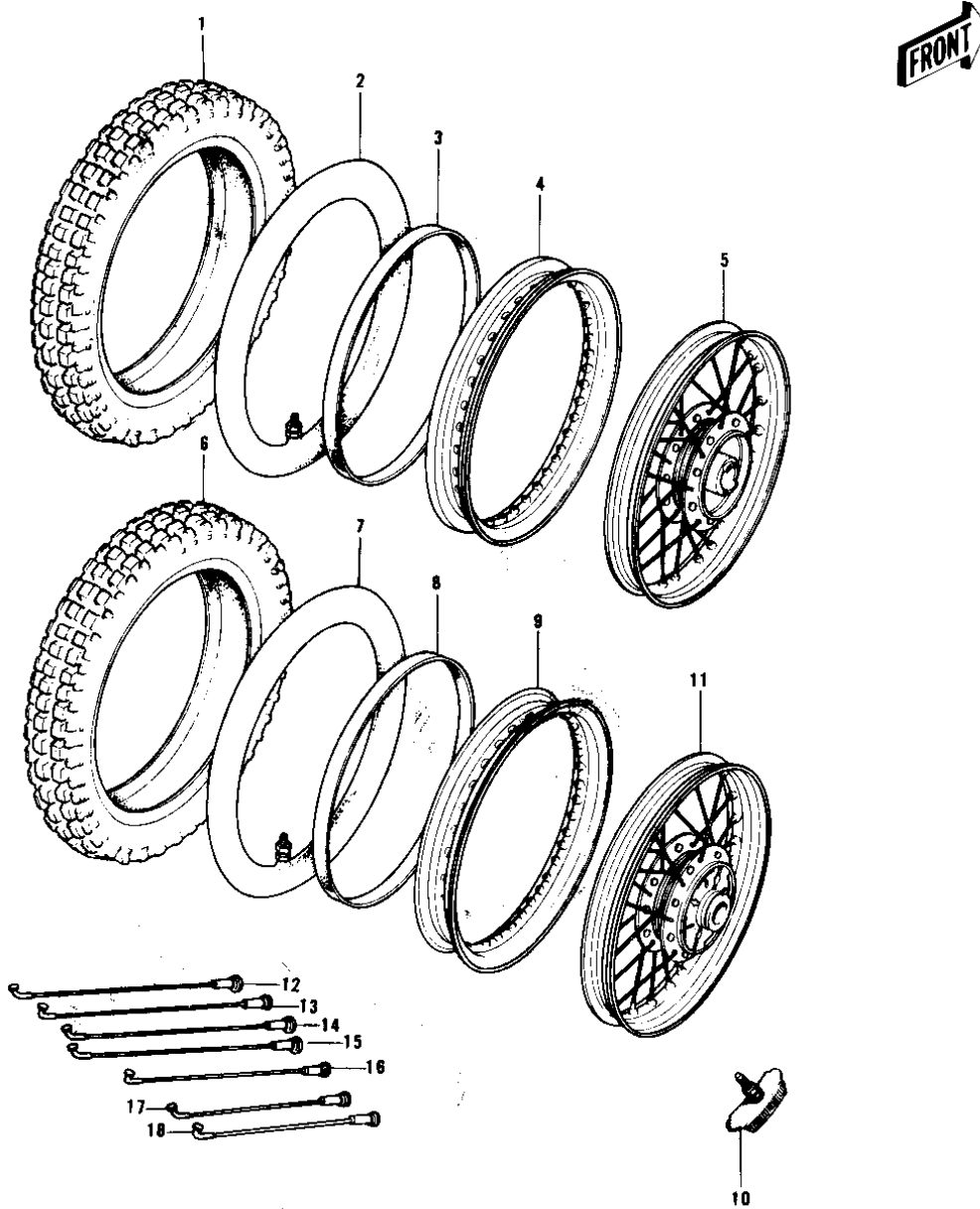


1978 KE175 PARTS DIAGRAM

WHEELS/TIRES



1978 KE175 PARTS LIST

WHEELS/TIRES

ITEM NAME	PART NUMBER	QUANTITY
TIRE 275-21 Y965 F (Ref # 1)	41002-1215	
TUBE,2.75/3.70-21 (Ref # 2)	41022-1021	
BAND,RIM,3.00-21 (Ref # 3)	41023-1001	
RIM,1.60AX21 (Ref # 4)	41025-078	
WHEEL ASSY,FRONT (Ref # 5)	41074-037	
TIRE 350-18 Y962 R (Ref # 6)	41002-1216	
TUBE 300/325/360-18 (Ref # 7)	41022-028	
BAND,RIM,4.00/5.10-18 (Ref # 8)	41023-1006	
RIM 1.85BX18W (Ref # 9)	41025-044	
PROTECTOR-BEAD 1.85B (Ref # 10)	41024-007	
WHEEL ASSY,REAR (Ref # 11)	42048-034	
SPOKE-ASY,FR INNER (Ref # 12)	41027-068	
SPOKE-ASY FR OUTER (Ref # 13)	41028-068	
SPOKE-ASY,FR (Ref # 14)	41027-069	
SPOKE-ASY,RR INNER L (Ref # 15)	41027-070	
SPOKE-ASY RR OUTER L (Ref # 16)	41028-069	
SPOKE-ASY,RR INNER R (Ref # 17)	41027-071	
SPOKE-ASY RR OUTER R (Ref # 18)	41028-070	