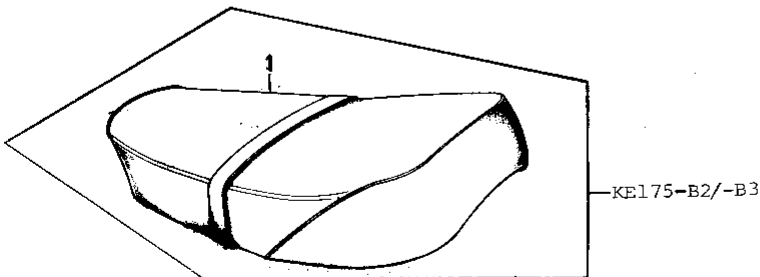
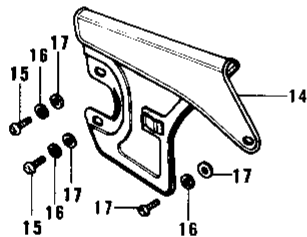
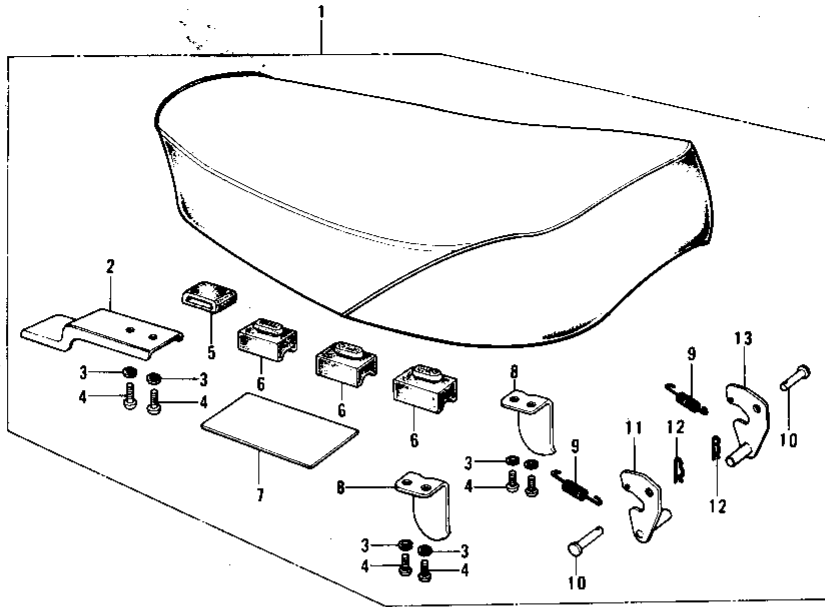


1978 KE175 PARTS DIAGRAM

SEAT/CHAIN COVER



Ref. No.

1

2

3

4

5

6

7

8

9

10

11

12

13

14

15

16

17

1002-363-63 Seat

1978 KE175 PARTS LIST

SEAT/CHAIN COVER

ITEM NAME	PART NUMBER	QUANTITY
SEAT ASSY,DUAL (Ref # 1)	53002-068	
SEAT-ASSY,DUAL (Ref # 1)	53001-1033	
SEAT-ASSY,DUAL (Ref # 1)	53001-1033	
BRACKET,DUAL SEAT (Ref # 2)	53032-005	
WASHER SPRING 6MM (Ref # 3)	461F0600	
SCREW PAN HEAD 6X14 (Ref # 4)	220B0614	
DAMPER RUBBER,SEAT (Ref # 5)	92075-219	
DAMPER RUBBER,SEAT (Ref # 6)	92075-216	
DAMPER RUBBER,BATTERY (Ref # 7)	92075-224	
STOPPER,SEAT (Ref # 8)	53059-001	
SPRING,HOOK (Ref # 9)	53012-013	
SPRING,HOOK (Ref # 9)	53012-013	
PIN DUAL SEAT PIVOT (Ref # 10)	53011-001	
HOOK,SEAT,L.H (Ref # 11)	53008-028	
COTTER PIN (Ref # 12)	92041-003	
HOOK,SEAT,R.H (Ref # 13)	53008-029	
CASE-CHAIN,FR BLACK (Ref # 14)	36014-051-21	
SCREW PAN HEAD 6X14 (Ref # 15)	220B0614	
WASHER SPRING 6MM (Ref # 16)	461F0600	
WASHER PLAIN (Ref # 17)	92022-024	