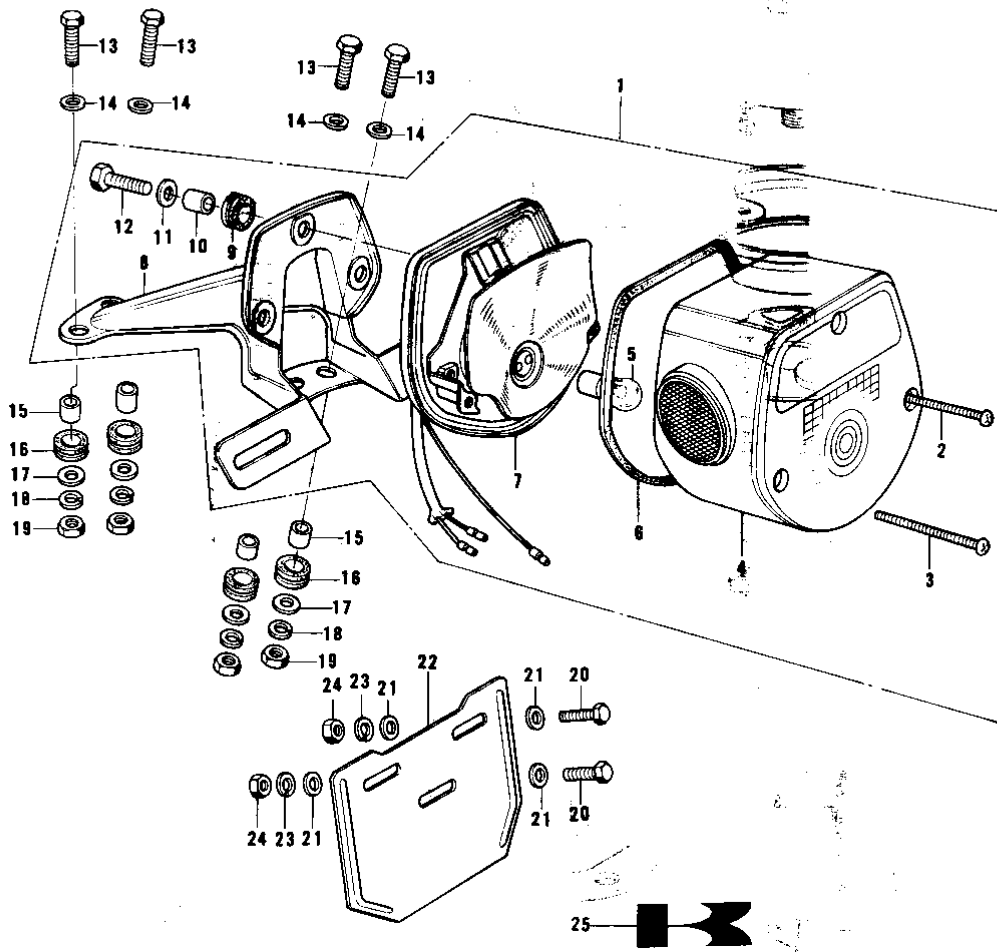


# 1978 KE175 PARTS DIAGRAM

TAILLIGHT



# 1978 KE175 PARTS LIST

## TAILLIGHT

ITEM NAME	PART NUMBER	QUANTITY
LAMP ASSY, TAIL, BLACK (Ref # 1)	23024-048-21	
SCREW (Ref # 2)	220R0455	
SCREW PAN HEAD 4X50 (Ref # 3)	220E0450	
LENS, TAIL LAMP (Ref # 4)	23026-028	
BULB, 60-32/3CP (Ref # 5)	92069-074	
GASKET, TAIL LAMP LENS (Ref # 6)	23028-019	
CASE, TAIL LAMP (Ref # 7)	23027-037	
BKT, TAIL LAMP, BLACK (Ref # 8)	23036-037-21	
DAMPER RUBBER (Ref # 9)	92075-076	
COLLAR, 6.8X10X8.5 (Ref # 10)	92027-129	
WASHER 6.5X20X1.6T (Ref # 11)	92022-125	
UNAVAILABLE IN PRICE BOOK (Ref # 12)	110B620	
BOLT-UPSET (Ref # 13)	112G0630	
WASHER 6.5X22X1.6T (Ref # 14)	92022-237	
COLLAR 6.8X10X10.5 (Ref # 15)	92027-120	
DAMPER RUBBER, RR FENR (Ref # 16)	92075-209	
WASHER 6.5X20X1.6T (Ref # 17)	92022-125	
WASHER SPRING 6MM (Ref # 18)	461F0600	
NUT 6MM (Ref # 19)	311B0600	
BOLT-UPSET, 6X20 (Ref # 20)	112G0620	
WASHER PLAIN 6MM (Ref # 21)	410B0600	
BRACKET, LICENSE PLATE (Ref # 22)	11034-1117	
WASHER SPRING 6MM (Ref # 23)	461F0600	
NUT 6MM (Ref # 24)	311B0600	
EMBLEM, LICNSE PLT BKT (Ref # 25)	56018-176	