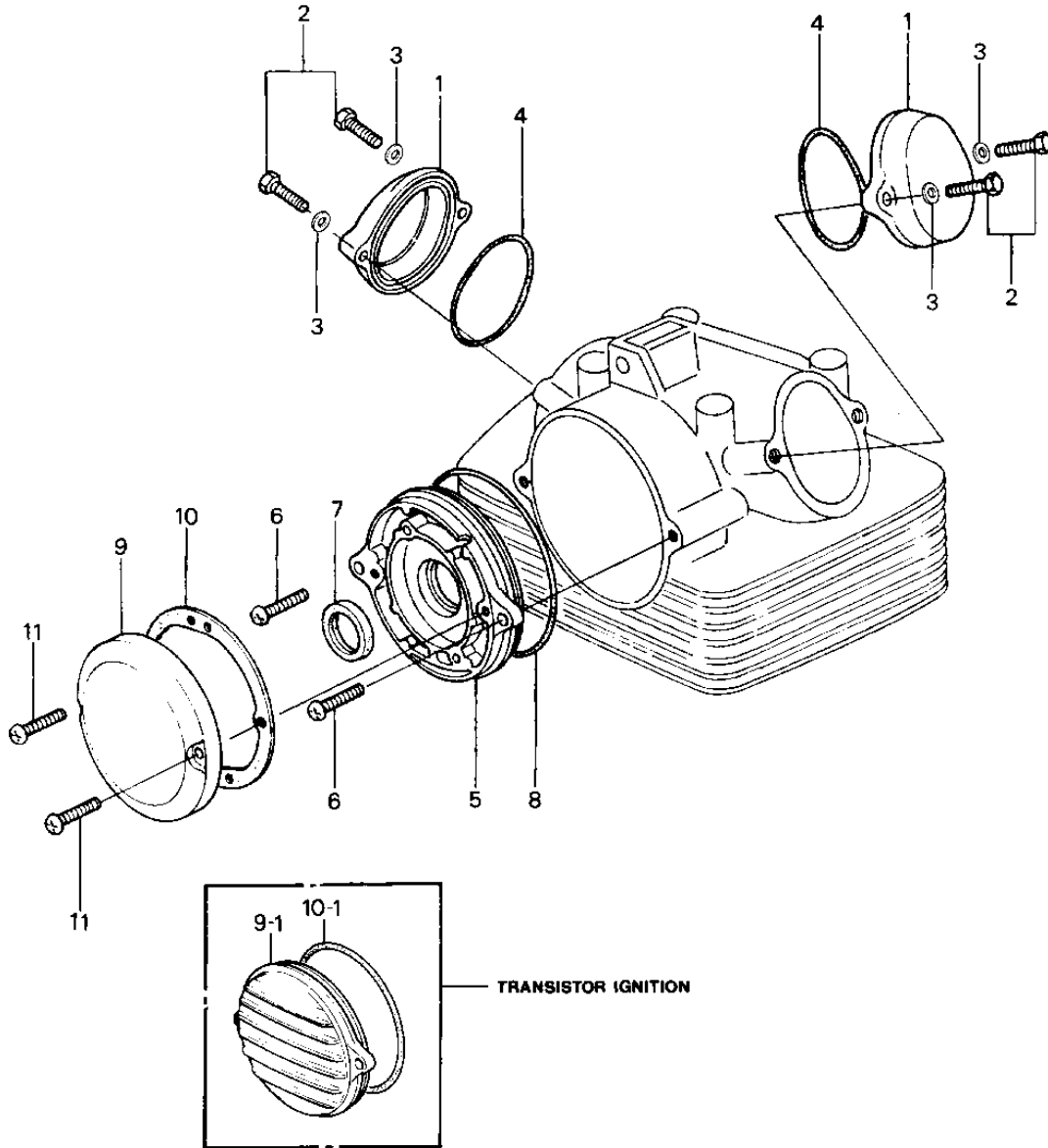


1981 KLT200 PARTS DIAGRAM

CYLINDER HEAD COVERS



1981 KLT200 PARTS LIST

CYLINDER HEAD COVERS

ITEM NAME	PART NUMBER	QUANTITY
CAP,ROCKER,FLAT BLACK (Ref # 1)	11012-1078	2
BOLT,FLANGED,6X25 (Ref # 2)	130G0625	4
"O" RING,53.5MM (Ref # 4)	92055-112	2
CASE,BREAKER (Ref # 5)	32099-1016	1
SCREW PAN HEAD 6X25 (Ref # 6)	220B0625	2
OIL SEAL (Ref # 7)	92050-079	1
"O" RING,99M/M (Ref # 8)	92055-107	1
CAP,CONTACT BREAKER (Ref # 9)	14027-022-2H	1
GASKET,CONTACT BREAKER (Ref # 10)	14050-012	1
SCREW PAN HEAD 6X25 (Ref # 11)	220B0625	2