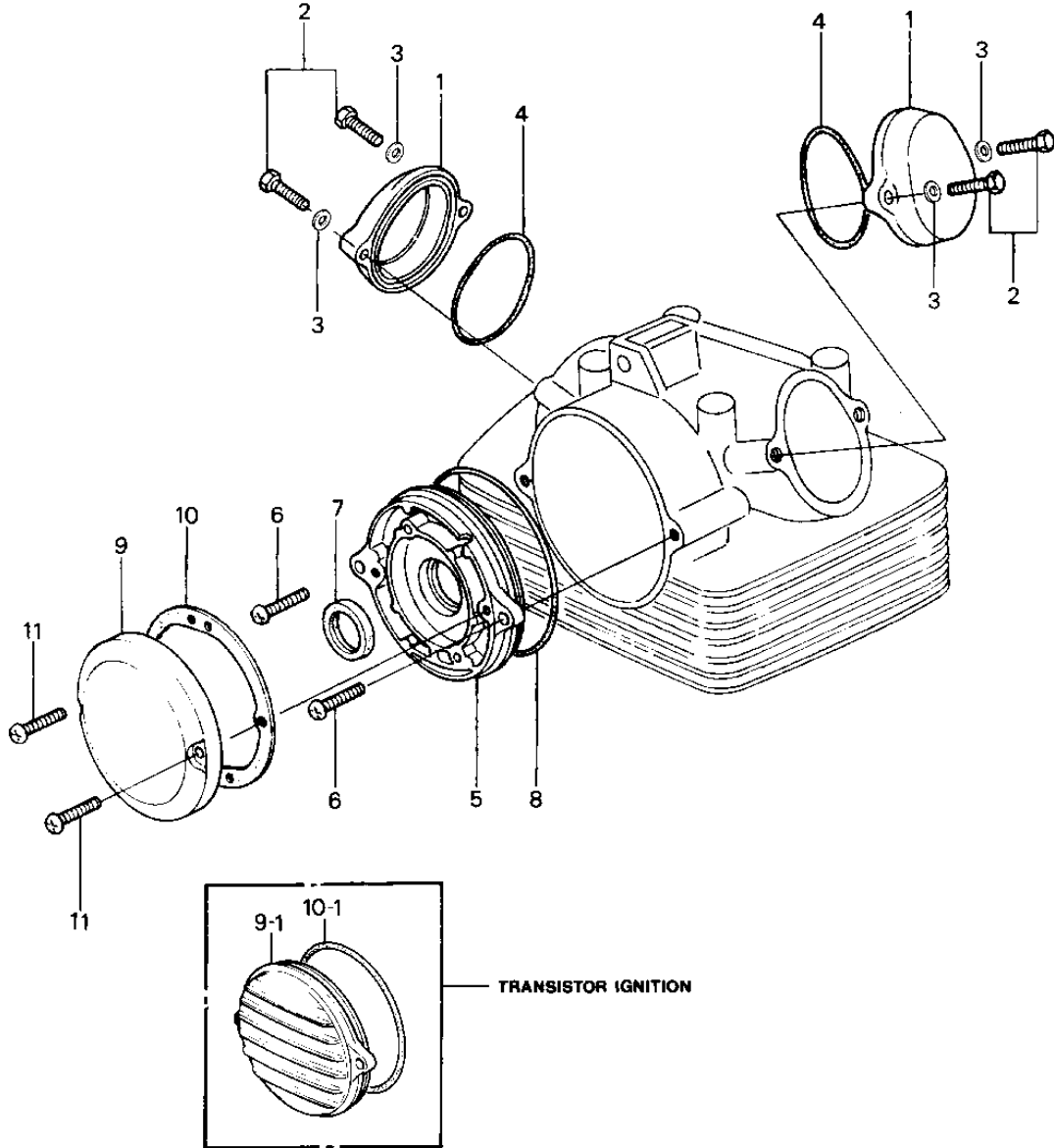


# 1982 KLT200 PARTS DIAGRAM

## CYLINDER HEAD COVERS



# 1982 KLT200 PARTS LIST

## CYLINDER HEAD COVERS

| ITEM NAME                       | PART NUMBER | QUANTITY |
|---------------------------------|-------------|----------|
| CAP,ROCKER,FLAT BLACK (Ref # 1) | 11012-1078  | 2        |
| BOLT-UPSET (Ref # 2)            | 112G0625    | 4        |
| WASHER PLAIN 6MM (Ref # 3)      | 411B0600    | 4        |
| "O" RING,53.5MM (Ref # 4)       | 92055-112   | 2        |
| CASE,BREAKER (Ref # 5)          | 32099-1016  | 1        |
| SCREW PAN HEAD 6X25 (Ref # 6)   | 220B0625    | 2        |
| OIL SEAL (Ref # 7)              | 92050-079   | 1        |
| "O" RING,99M/M (Ref # 8)        | 92055-107   | 1        |
| COVER,CAM (Ref # 9-1)           | 14025-1276  | 1        |
| "O" RING,99M/M (Ref # 10-1)     | 92055-107   | 1        |
| SCREW PAN HEAD 6X25 (Ref # 11)  | 220B0625    | 2        |