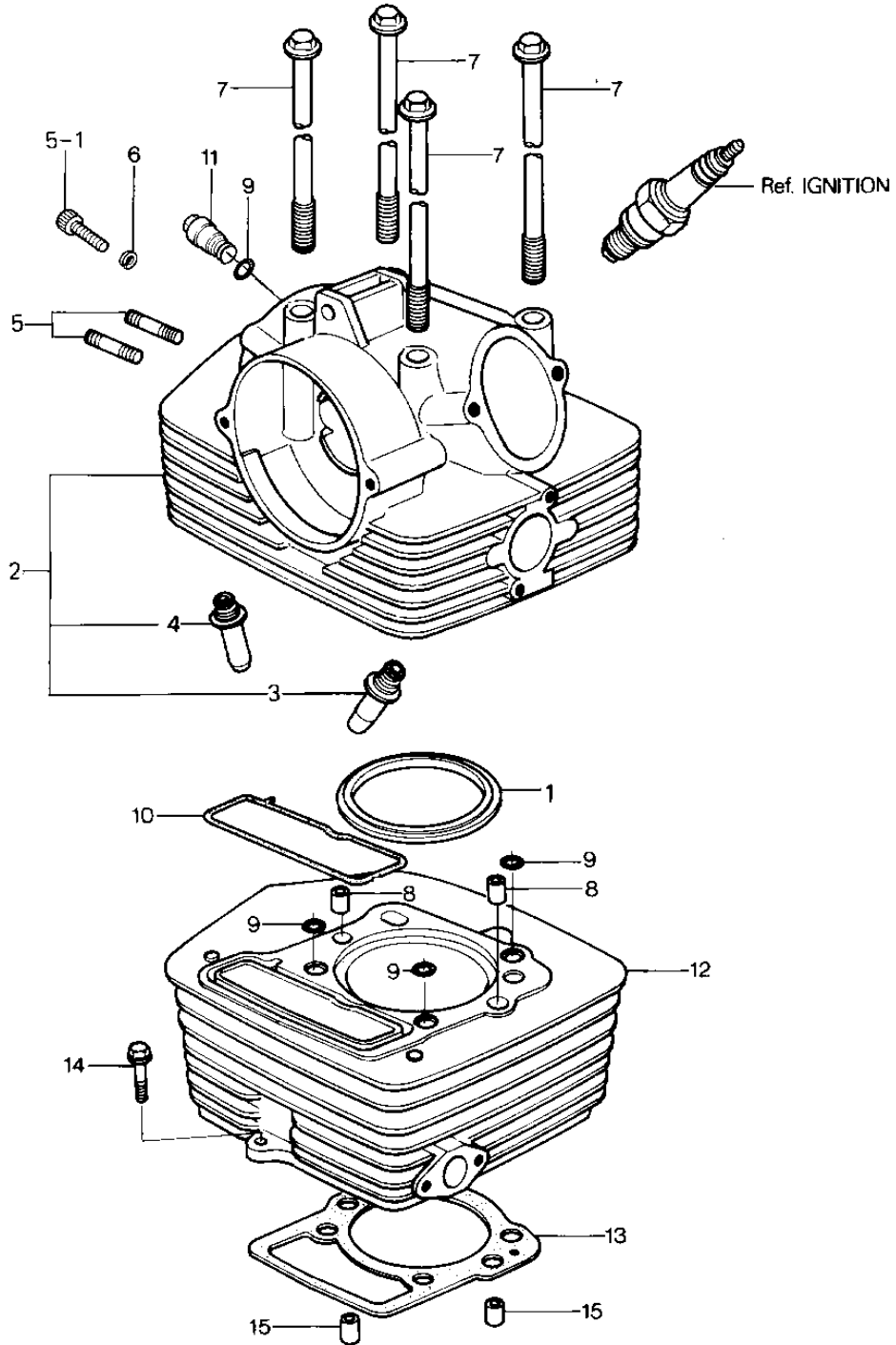


# 1981 KLT200 PARTS DIAGRAM

CYLINDER HEAD/CYLINDER



# 1981 KLT200 PARTS LIST

## CYLINDER HEAD/CYLINDER

ITEM NAME	PART NUMBER	QUANTITY
GASKET,CYLINDER HEAD (Ref # 1)	11004-1004	1
CYLINDER HEAD (Ref # 2)	11002-5023	1
GUIDE,INLET VALVE (Ref # 3)	12013-003	1
GUIDE,EXHAUST VALVE (Ref # 4)	49002-1010	1
BOLT,SOCKET,8X30 (Ref # 5-1)	120P0830	2
WASHER PLAIN 8MM (Ref # 6)	410B0800	2
BOLT,8X233 (Ref # 7)	92003-220	4
PIN,DOWEL,10X8.2X14 (Ref # 8)	92043-1037	2
RING-O,10MM (Ref # 9)	92055-1149	4
"O" RING (Ref # 10)	92055-105	1
PLUG,TACHOMETER GEAR (Ref # 11)	92066-060	1
CYLINDER-ENGINE (Ref # 12)	11006-1011	1
GASKET,CYLINDER BASE (Ref # 13)	11009-043	1
BOLT (Ref # 14)	92003-202	1
PIN,DOWEL,10X8.2X14 (Ref # 15)	92043-1037	2