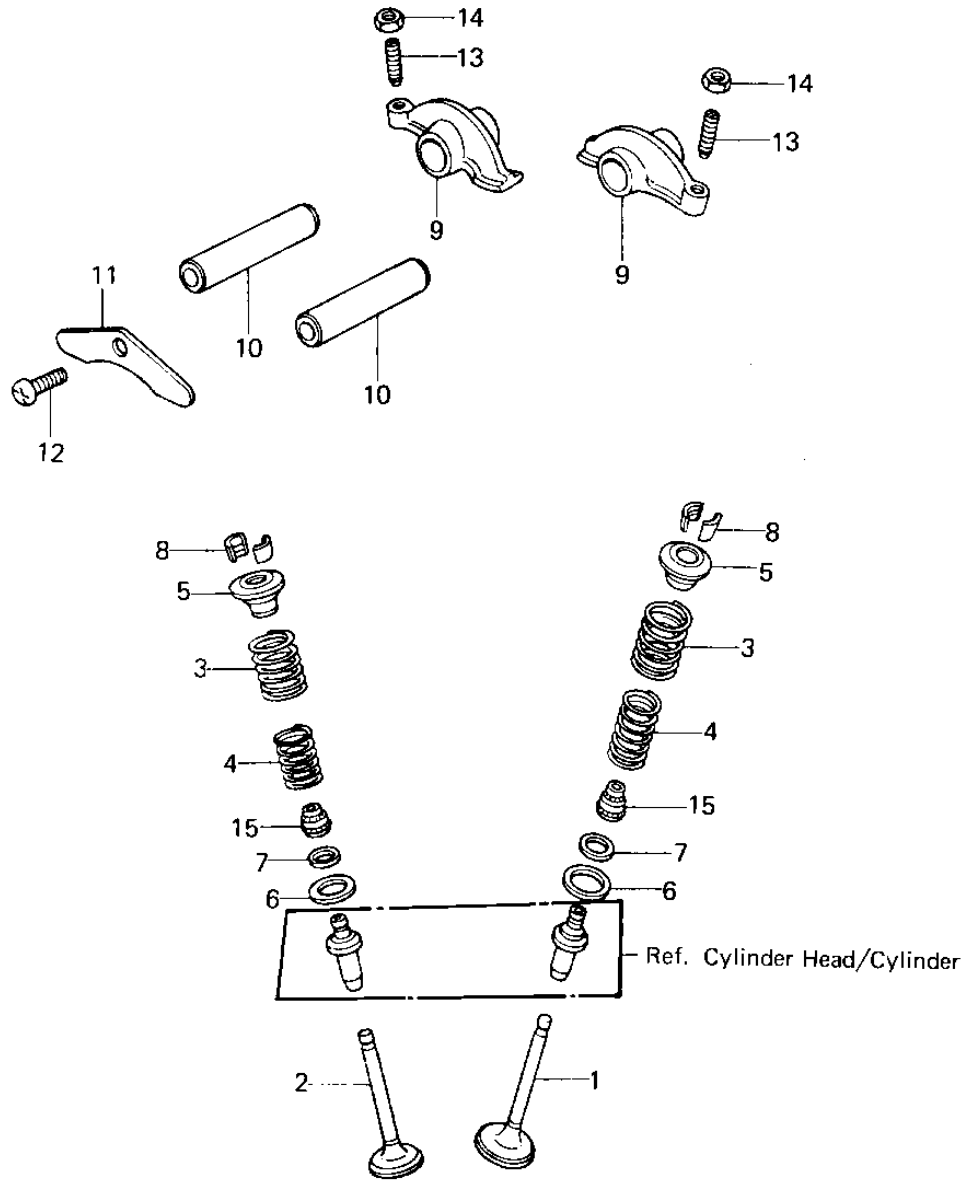


# 1981 KLT200 PARTS DIAGRAM

ROCKER ARMS/VALVES ('81-'82 KLT200-A1/A2)



# 1981 KLT200 PARTS LIST

## ROCKER ARMS/VALVES ('81-'82 KLT200-A1/A2)

| ITEM NAME                        | PART NUMBER | QUANTITY |
|----------------------------------|-------------|----------|
| VALVE,INLET (Ref # 1)            | 12004-1006  | 1        |
| VALVE,EXHAUST (Ref # 2)          | 12005-1005  | 1        |
| SPRING,OUTER VALVE (Ref # 3)     | 12007-013   | 2        |
| SPRING,INNER VALVE (Ref # 4)     | 12007-014   | 2        |
| RETAINER,VALVE SPRING (Ref # 5)  | 12009-006   | 2        |
| SEAT,VLV OUTER SPRING (Ref # 6)  | 12010-005   | 2        |
| SEAT,VLV INNER SPRING (Ref # 7)  | 12010-006   | 2        |
| SPLIT KEEPER (Ref # 8)           | 12011-004   | 4        |
| ARM,ROCKER (Ref # 9)             | 12016-012   | 2        |
| SHAFT,ROCKER ARM (Ref # 10)      | 12020-004   | 2        |
| PLATE,POSITIONING (Ref # 11)     | 14014-034   | 1        |
| SCREW PAN HEAD 6X14 (Ref # 12)   | 220B0614    | 1        |
| SCREW,SLOTTED,ROCKER (Ref # 13)  | 92013-009   | 2        |
| NUT,ROCKER ARM FITTNG (Ref # 14) | 92016-061   | 2        |
| OIL SEAL,RV37129.5 (Ref # 15)    | 92049-016   | 2        |