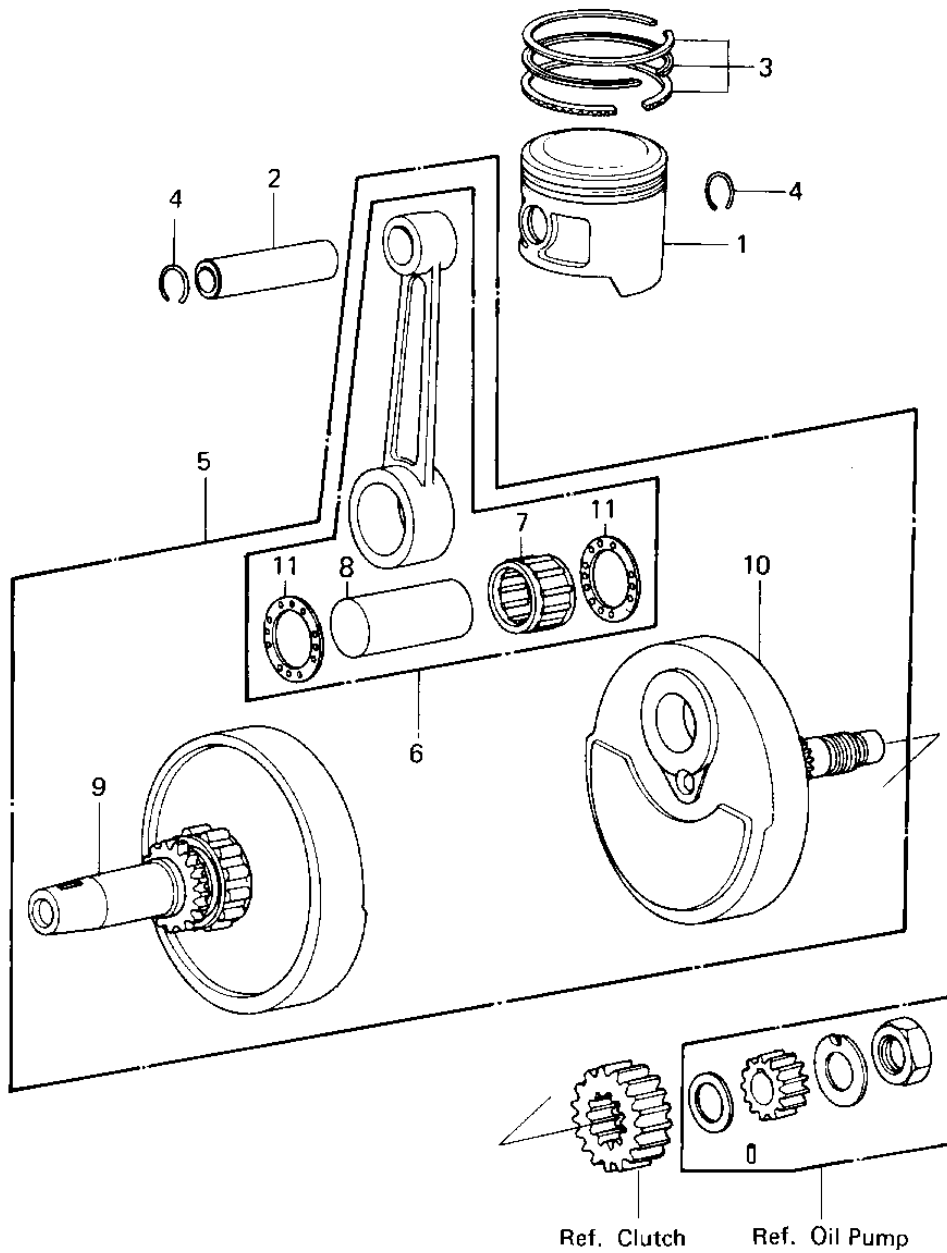


1981 KLT200 PARTS DIAGRAM

CRANKSHAFT/PISTON



1981 KLT200 PARTS LIST

CRANKSHAFT/PISTON

ITEM NAME	PART NUMBER	QUANTITY
PISTON,STD (Ref # 1)	13001-083	1
PISTON,0.020"0/S (Ref # 1)	13029-1001	(1
PISTON,0.040"0/S (Ref # 1)	13027-1001	(1
PIN-PISTON (Ref # 2)	13002-026	1
RING SET,STD (Ref # 3)	13008-5005	1
RING SET,0.020'0.S (Ref # 3)	13025-5004	(1
RING SET,0.040'0.S (Ref # 3)	13024-5005	(1
CIRCLIP,PISTON PIN (Ref # 4)	92036-021	2
CRANKSHAFT ASSY (Ref # 5)	13031-055	1
CONNECTING ROD ASSY (Ref # 6)	13044-5006	1
BRG,NEEDLE PK293921.4 (Ref # 7)	13034-031	1
PIN,CRANK (Ref # 8)	13035-035	1
CRANKSHAFT,L.H (Ref # 9)	13037-5001	1
CRANKSHAFT,RH (Ref # 10)	13037-1149	1
SPACER,CONNECTING ROD (Ref # 11)	92026-087	2