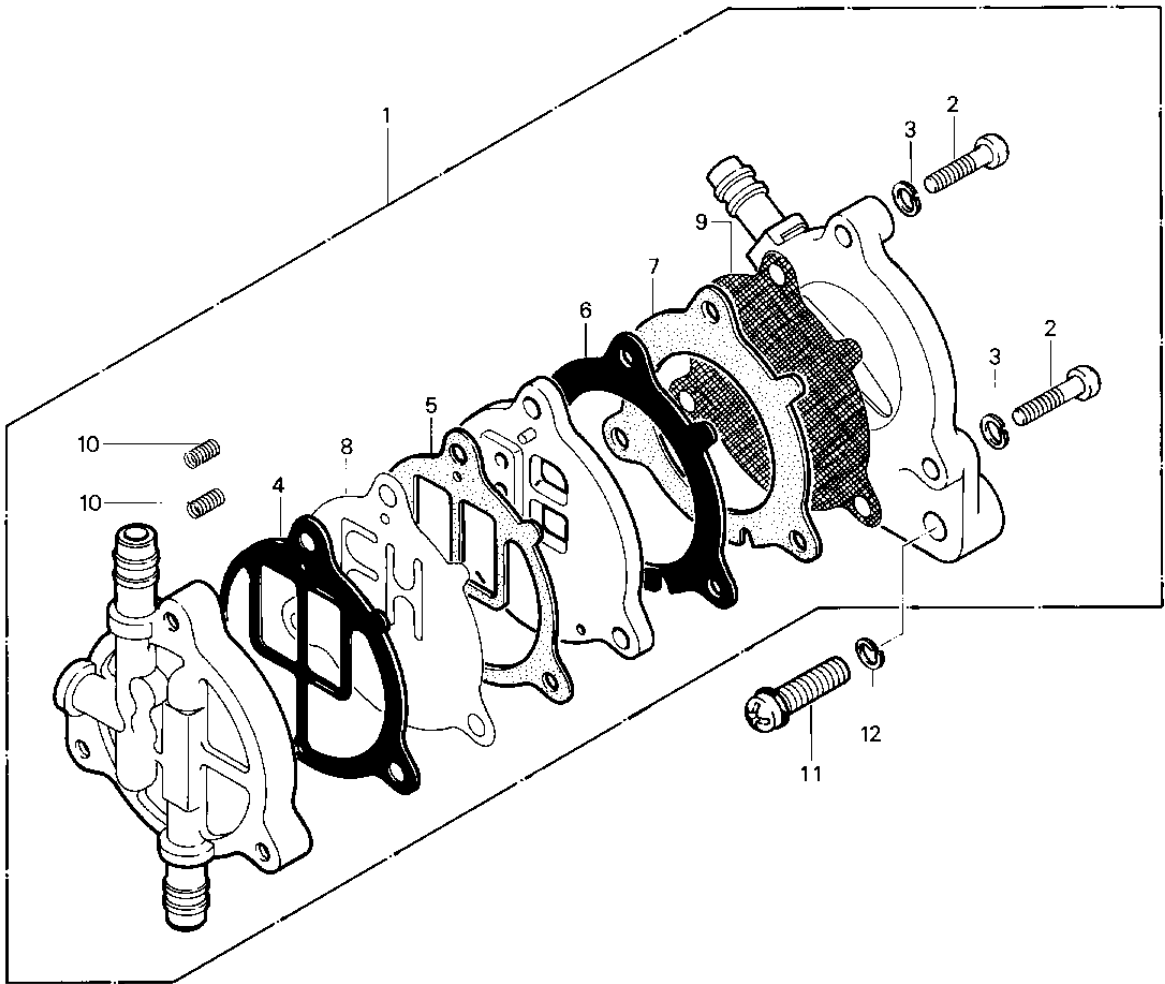


1981 KLT200 PARTS DIAGRAM

FUEL PUMP



1981 KLT200 PARTS LIST

FUEL PUMP

ITEM NAME	PART NUMBER	QUANTITY
PUMP-FUEL (Ref # 1)	49040-1002	1
SCREW PAN HEAD 5X20 (Ref # 2)	220B0520	3
WASHER SPRING 5MM (Ref # 3)	461F0500	3
GASKET,CHECK VALVE (Ref # 4)	11009-1333	1
GASKET,CHECK VALVE (Ref # 5)	11009-1334	1
GASKET,FUEL PUMP,CNT (Ref # 6)	11009-1335	1
GASKET,DIAPHRAGM (Ref # 7)	11009-1336	1
VALVE-CHECK,FUEL PUMP (Ref # 8)	16087-1002	1
DIAPHRAGM,FUEL PUMP (Ref # 9)	43028-1036	1
SPRING,FUEL PUMP (Ref # 10)	92081-1551	2
SCREW PAN HEAD 6X20 (Ref # 11)	220B0620	2
WASHER SPRING 6MM (Ref # 12)	461F0600	2