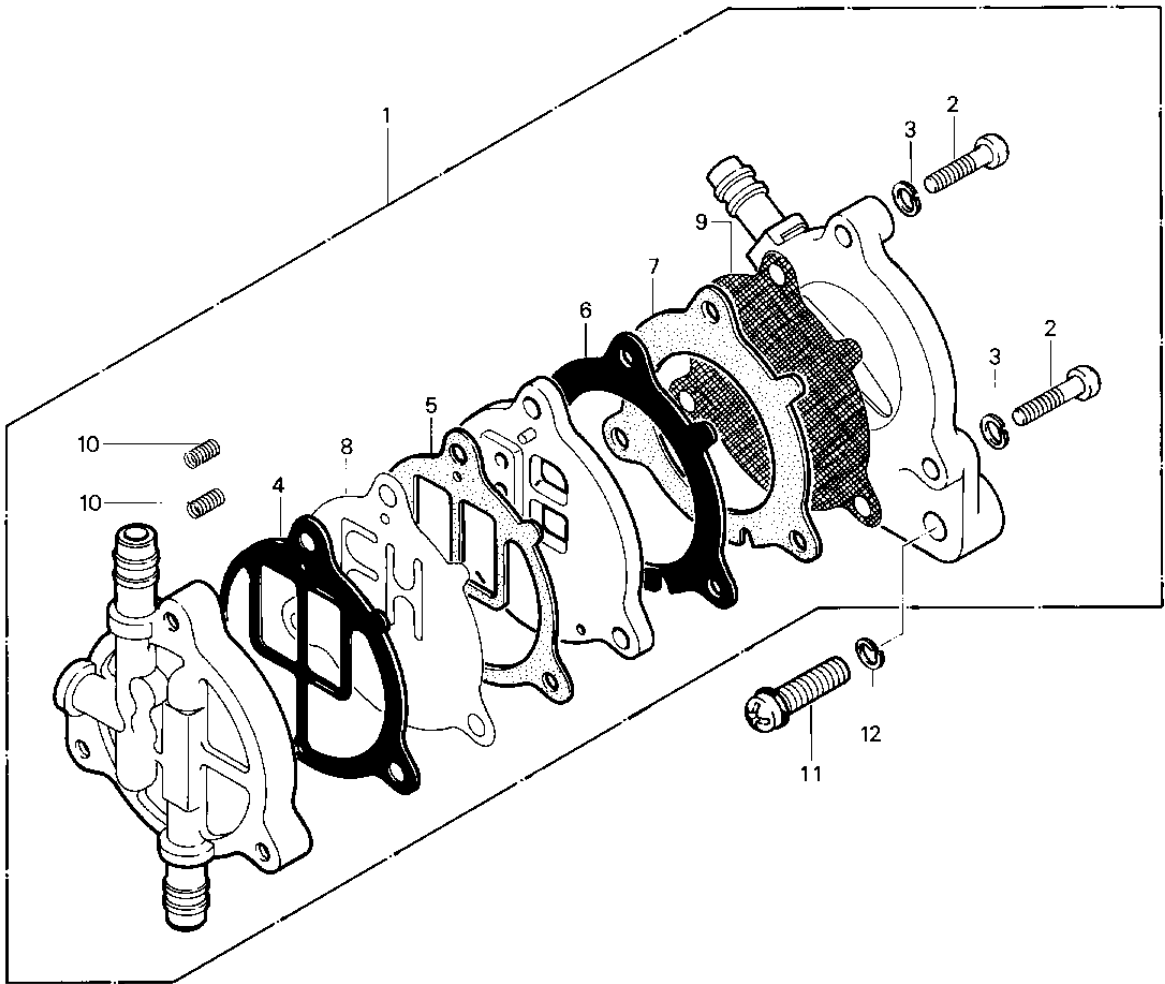


# 1981 KLT200 PARTS DIAGRAM

FUEL PUMP



# 1981 KLT200 PARTS LIST

## FUEL PUMP

| ITEM NAME                       | PART NUMBER | QUANTITY |
|---------------------------------|-------------|----------|
| PUMP-FUEL (Ref # 1)             | 49040-1002  | 1        |
| SCREW PAN HEAD 5X20 (Ref # 2)   | 220B0520    | 3        |
| WASHER SPRING 5MM (Ref # 3)     | 461F0500    | 3        |
| GASKET,CHECK VALVE (Ref # 4)    | 11009-1333  | 1        |
| GASKET,CHECK VALVE (Ref # 5)    | 11009-1334  | 1        |
| GASKET,FUEL PUMP,CNT (Ref # 6)  | 11009-1335  | 1        |
| GASKET,DIAPHRAGM (Ref # 7)      | 11009-1336  | 1        |
| VALVE-CHECK,FUEL PUMP (Ref # 8) | 16087-1002  | 1        |
| DIAPHRAGM,FUEL PUMP (Ref # 9)   | 43028-1036  | 1        |
| SPRING,FUEL PUMP (Ref # 10)     | 92081-1551  | 2        |
| SCREW PAN HEAD 6X20 (Ref # 11)  | 220B0620    | 2        |
| WASHER SPRING 6MM (Ref # 12)    | 461F0600    | 2        |