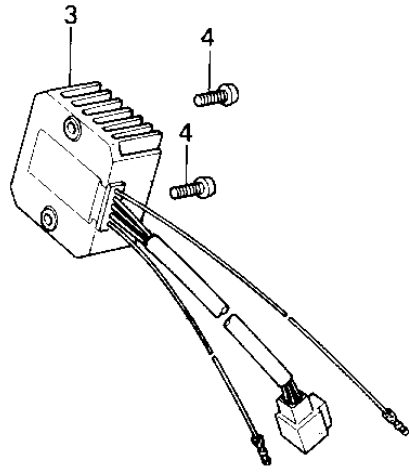
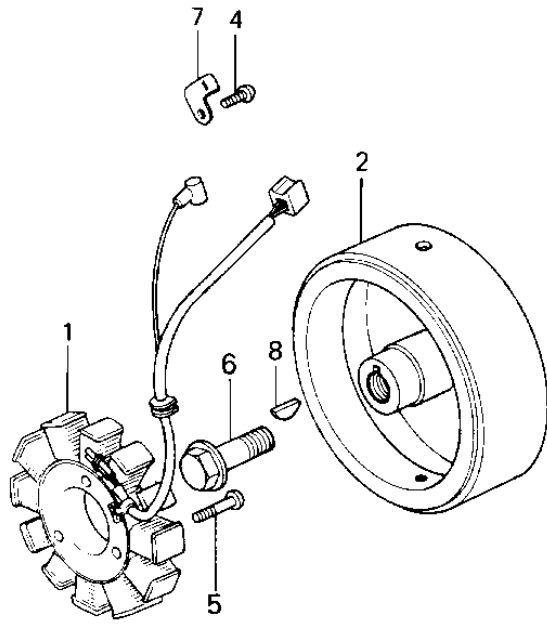


1982 KLT200 PARTS DIAGRAM

GENERATOR/REGULATOR



1982 KLT200 PARTS LIST

GENERATOR/REGULATOR

ITEM NAME	PART NUMBER	QUANTITY
STATOR ASSY (Ref # 1)	21003-1002	1
ROTOR (Ref # 2)	21007-1033	1
REGULATOR,VOLTAGE (Ref # 3)	21066-1014	1
SCREW PAN HEAD 6X14 (Ref # 4)	220B0614	3
SCREW PAN HEAD 6X25 (Ref # 5)	220B0625	3
BOLT,10X40 (Ref # 6)	92001-1201	1
CLAMP (Ref # 7)	92037-194	1
WOODRUFF KEY (Ref # 8)	92038-001	1