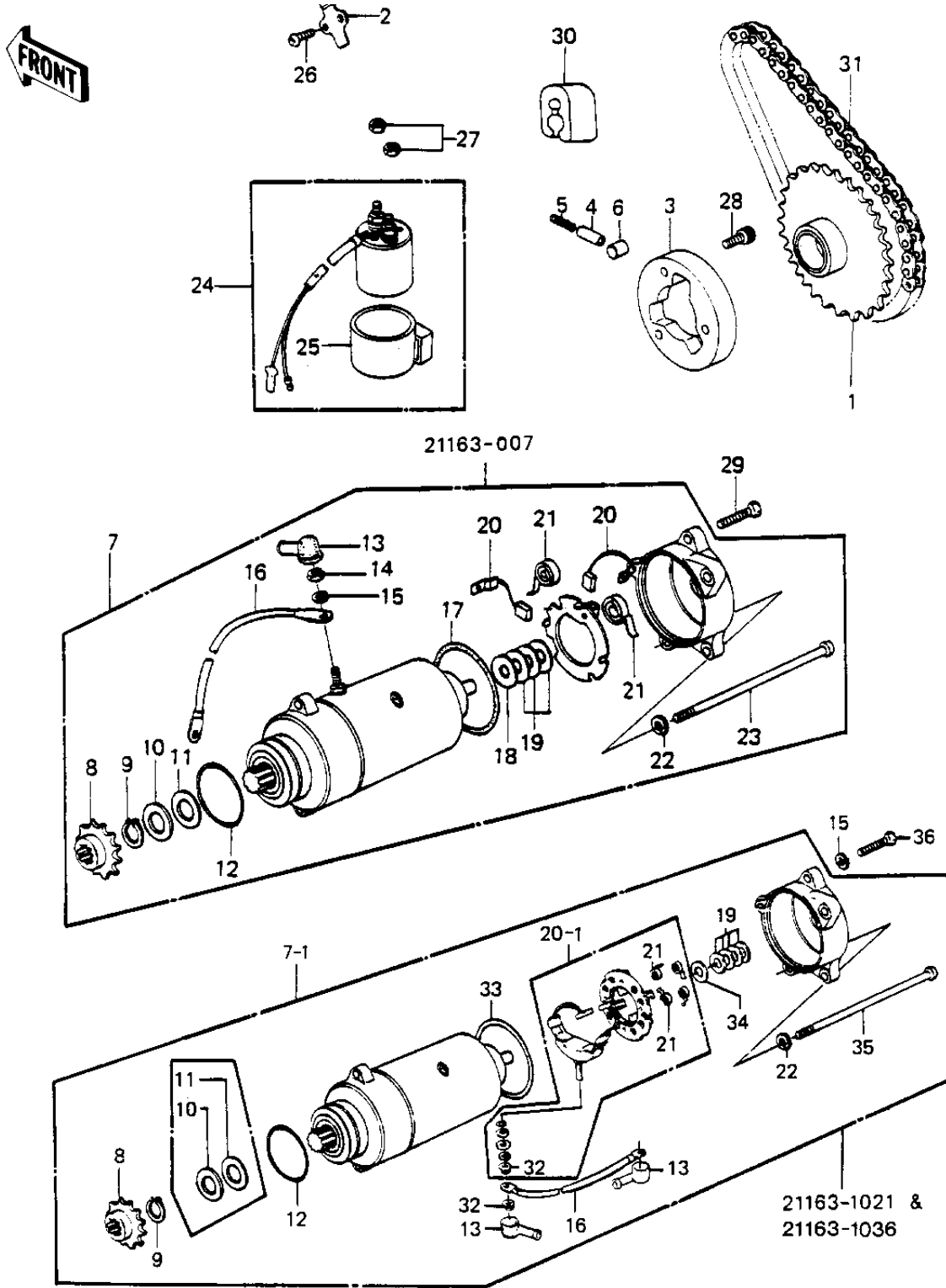


# 1981 KLT200 PARTS DIAGRAM

## STARTER MOTOR/STARTER CLUTCH



# 1981 KLT200 PARTS LIST

## STARTER MOTOR/STARTER CLUTCH

ITEM NAME	PART NUMBER	QUANTITY
SPROCKET,STARTER CLUT (Ref # 1)	12046-1107	1
SPROCKET,STARTER CLUT (Ref # 1)	12046-1107	1
PLATE (Ref # 2)	13169-1010	1
CLUTCH,STARTER (Ref # 3)	13194-008	1
PIN (Ref # 4)	92043-132	3
SPRING,COIL (Ref # 5)	92081-159	3
ROLLER (Ref # 6)	92122-006	3
STARTER-ELECTRIC (Ref # 7-1)	21163-1036	1
STARTER-ELECTRIC (Ref # 7-1)	21163-1036	1
SPROCKET,STARTER MOTO (Ref # 8)	12046-1004	1
CIRCLIP,13M/M (Ref # 9)	92033-037	1
WASHER,PLAIN,14MM (Ref # 10)	21025-008	1
WASHER PLAIN 14MM (Ref # 11)	21025-009	1
"0" RING,42.8MM (Ref # 12)	21027-005	1
CAP,STARTING MOTOR (Ref # 13)	21017-020	2
NUT 6MM (Ref # 14)	312B0600	1
WASHER SPRING 6MM (Ref # 15)	461F0600	3
WIRE-LEAD,STARTER MOT (Ref # 16)	26011-1201	1
WIRE-LEAD,STARTER MOT (Ref # 16)	26011-1201	1
"0" RING,62MM (Ref # 17)	21027-006	1
WASHER,THRUST,1.6T (Ref # 18)	21025-010	1
WASHER,THRUST,0.2T (Ref # 19)	21025-011	AR
BRUSH CARBON (Ref # 20)	21039-004	2
BRUSH,CARBON (Ref # 20-1)	21039-1053	1
SPRING CARBON BRUSH (Ref # 21)	21040-004	2
SPRING-BRUSH (Ref # 21)	21040-1003	4
WASHER SPRING 6MM (Ref # 22)	461F0600	2
SCREW,PAN HEAD,6X130 (Ref # 23)	92001-1046	2
SWITCH ASSY,MAGNETIC (Ref # 24)	21164-005	1

# 1981 KLT200 PARTS LIST

## STARTER MOTOR/STARTER CLUTCH

ITEM NAME	PART NUMBER	QUANTITY
DAMPER MAG SWITCH SHK (Ref # 25)	21064-002	1
SCREW PAN HEAD 6X14 (Ref # 26)	220B0614	1
NUT,6M/M (Ref # 27)	311G0600	2
BOLT (Ref # 28)	120P0816	3
BOLT,FLANGED,6X25 (Ref # 29)	130G0625	2
CLAMP,CABLE (Ref # 30)	92037-1049	1
CHAIN,DYNAMO (Ref # 31)	92057-1009	1