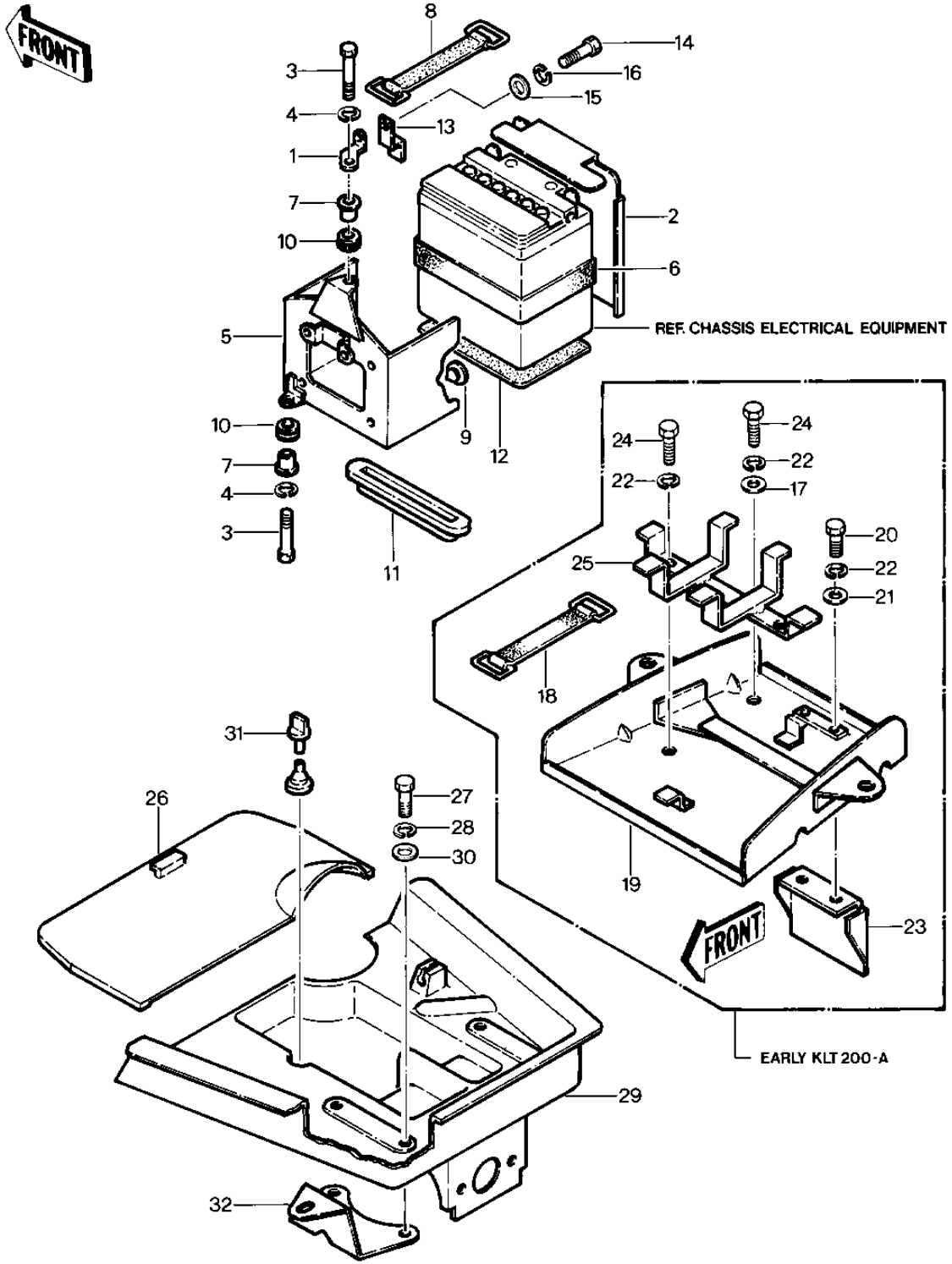


# 1981 KLT200 PARTS DIAGRAM

BATTERY CASE/TOOL CASE ('81-'82 KLT200-A)



# 1981 KLT200 PARTS LIST

## BATTERY CASE/TOOL CASE ('81-'82 KLT200-A)

ITEM NAME	PART NUMBER	QUANTITY
BRACKET (Ref # 1)	11034-4051	1
COVER (Ref # 2)	14025-4007	1
BOLT-UPSET,6X20 (Ref # 3)	112G0620	2
WASHER SPRING 6MM (Ref # 4)	461F0600	2
CASE-BATTERY (Ref # 5)	32097-4002	1
MAT-BATTERY SIDE (Ref # 6)	32103-023	1
COLLAR (Ref # 7)	92027-1045	2
BAND BATTERY (Ref # 8)	92072-006	1
DAMPER RUBBER (Ref # 9)	92075-078	4
DAMPER RUBBER (Ref # 10)	92075-277	2
DAMPER RUBBER (Ref # 11)	92075-280	1
DAMPER,BATTERY CASE (Ref # 12)	92075-4019	1
HOLDER-BATTERY (Ref # 13)	13091-4006	1
SCREW PAN HEAD 6X16 (Ref # 14)	220B0616	1
WASHER PLAIN 6MM (Ref # 15)	411B0600	1
WASHER SPRING 6MM (Ref # 16)	461F0600	1
WASHER 6.5X20X1.6T (Ref # 17)	92022-125	2
BAND BATTERY (Ref # 18)	92072-006	1
CASE-TOOL (Ref # 19)	32098-4001	1
BOLT-UPSET,6X12 (Ref # 20)	112G0612	2
WASHER PLAIN 6MM (Ref # 21)	410B0600	2
WASHER SPRING 6MM (Ref # 22)	461F0600	6
BRKT,TAIL LAMP (Ref # 23)	23036-4002	1
BOLT-UPSET 6X14 (Ref # 24)	112B0614	4
HOLDER, (Ref # 25)	13091-4008	1
COVER-TOOL CASE (Ref # 26)	14025-4022	1
BOLT-UPSET (Ref # 27)	112G0618	4
WASHER SPRING 6MM (Ref # 28)	461F0600	4
CASE,TOOL (Ref # 29)	32098-4002	1