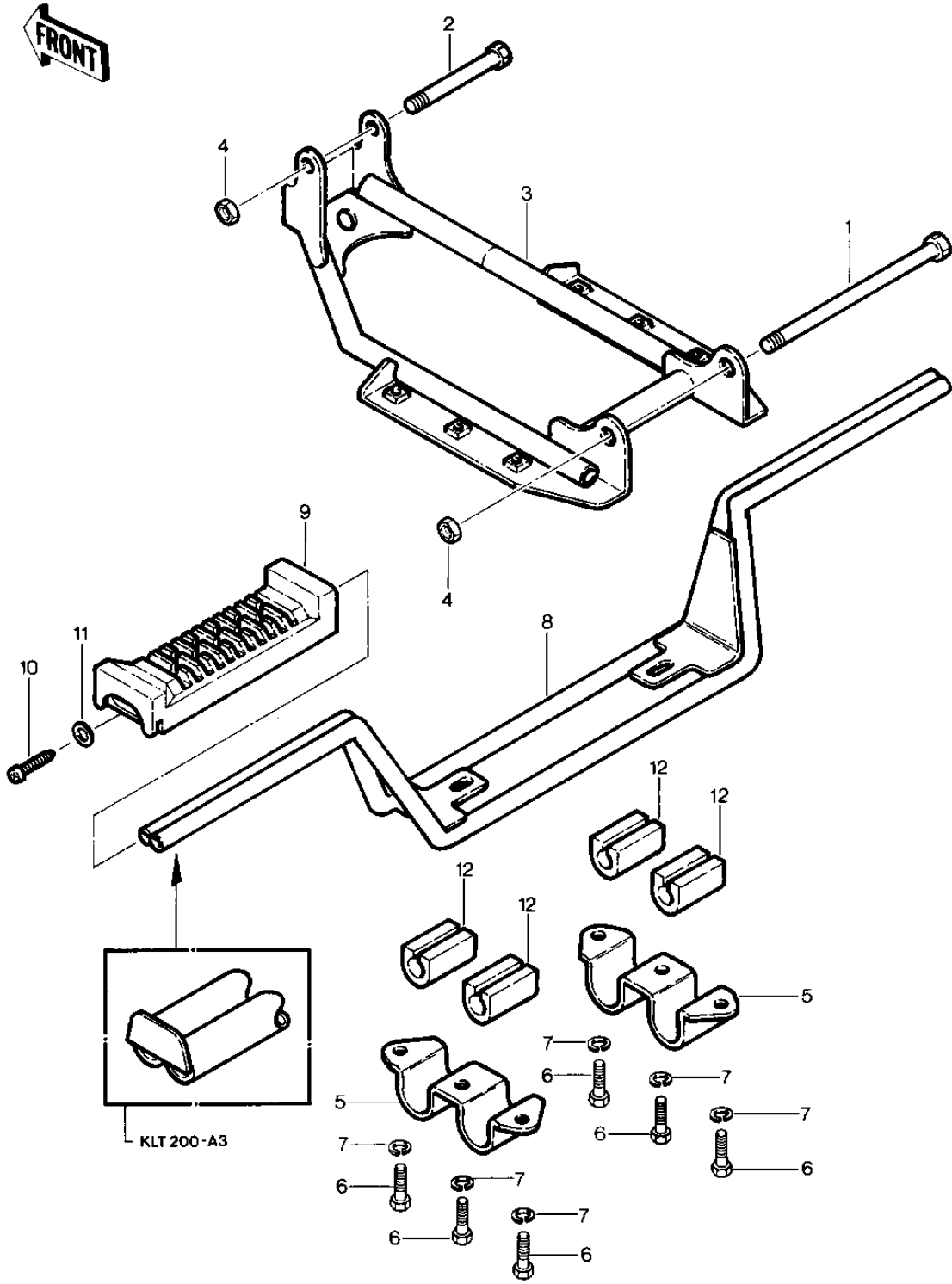


1981 KLT200 PARTS DIAGRAM

FOOTRESTS ('81-'82 KLT200-A1/A2/A3)



1981 KLT200 PARTS LIST

FOOTRESTS ('81-'82 KLT200-A1/A2/A3)

ITEM NAME	PART NUMBER	QUANTITY
BOLT,8X115 (Ref # 1)	114B08115	1
BOLT-SMALL-UPSET (Ref # 2)	115B0865	1
GUARD,ENGINE (Ref # 3)	55020-4007	1
NUT,LOCK,8MM (Ref # 4)	92015-1124	2
HOLDER (Ref # 5)	13091-4001	2
BOLT-SMALL-UPSET,8X18 (Ref # 6)	115G0818	6
WASHER SPRING 8MM (Ref # 7)	461F0800	6
HOLDER,STEP (Ref # 8)	34003-4004	1
STEP,RUBBER (Ref # 9)	34028-4001	2
SCREW (Ref # 10)	92009-4004	2
WASHER 6.5X20X1.6T (Ref # 11)	92022-125	2
DAMPER (Ref # 12)	92075-4015	4