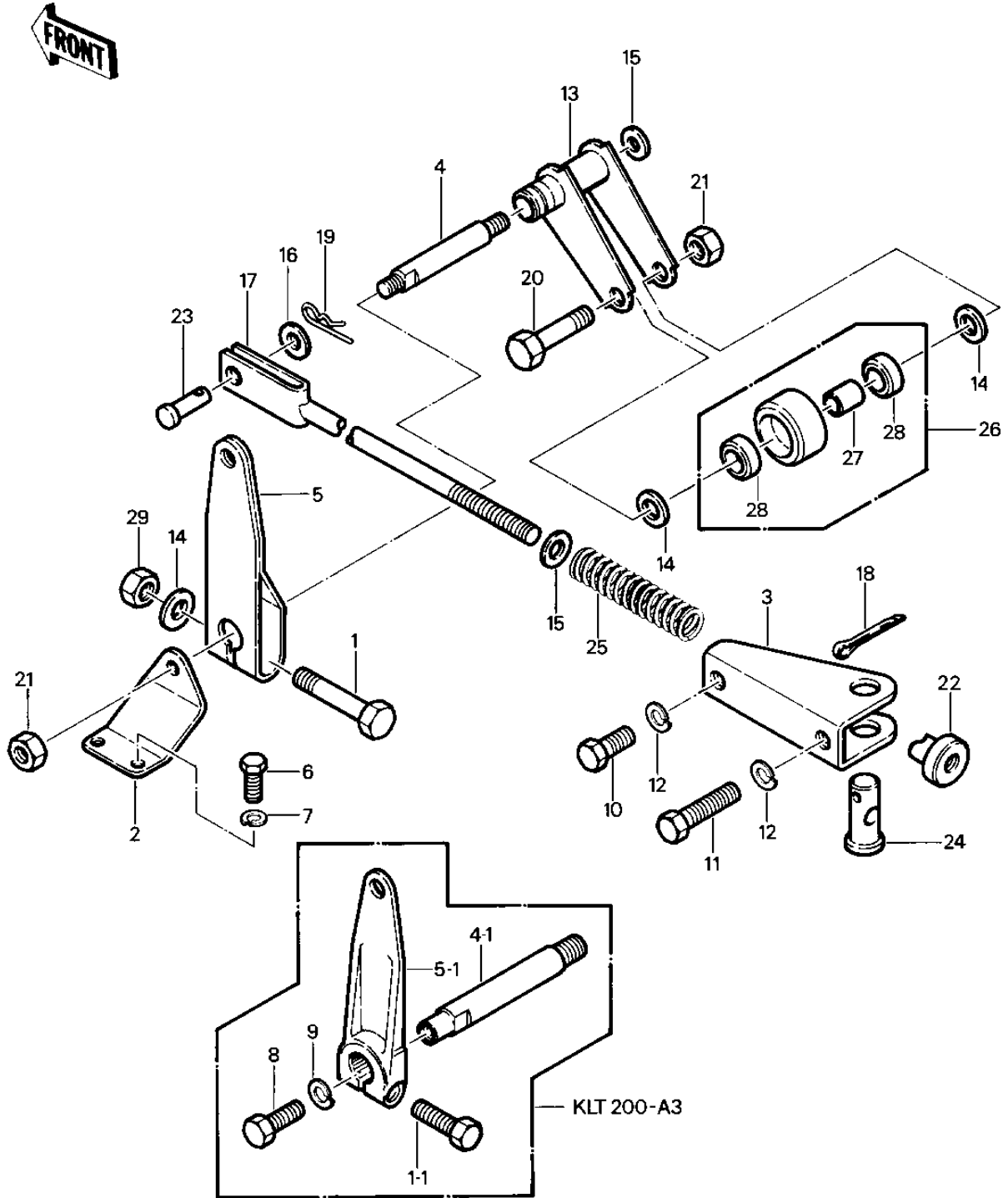


1981 KLT200 PARTS DIAGRAM

CHAIN TENSIONER ('81-'82 KLT200-A1/A2/A3)



1981 KLT200 PARTS LIST

CHAIN TENSIONER ('81-'82 KLT200-A1/A2/A3)

ITEM NAME	PART NUMBER	QUANTITY
BOLT-FLANGED,8X50 (Ref # 1)	130B0850	1
BRACKET,LEVER TENSION (Ref # 2)	11034-4060	1
BRACKET,CHAIN ADJUST (Ref # 3)	11034-4061	1
SHAFT,CHAIN TENSIONER (Ref # 4)	13107-4003	1
LEVER-ARM-TENSIONER S (Ref # 5)	13168-5002	1
BOLT-UPSET 6X14 (Ref # 6)	112B0614	2
WASHER SPRING 6MM (Ref # 7)	461F0600	2
BOLT-SMALL-UPSET,8X18 (Ref # 10)	115G0818	1
BOLT-SMALL-UPSET 8X25 (Ref # 11)	115G0825	1
WASHER SPRING 8MM (Ref # 12)	461F0800	2
LEVER-ARM-TENSIONER S (Ref # 13)	13168-5002	1
WASHER PLAIN 8MM (Ref # 14)	411B0800	3
WASHER PLAIN 10MM (Ref # 15)	411B1000	2
WASHER PLAIN 12MM (Ref # 16)	411B1200	1
ROD,CHAIN TENSIONER (Ref # 17)	46102-4001	1
PIN,COTTER (Ref # 18)	550D3230	1
PIN,SNAP,12M/M (Ref # 19)	554A1200	1
BOLT,HEX HEAD,8X45 (Ref # 20)	92001-4008	1
NUT,LOCK,8MM (Ref # 21)	92015-1124	2
NUT,BRAKE ROD ADJUSTG (Ref # 22)	92015-4008	1
PIN,12X22 (Ref # 23)	92043-4004	1
PIN,18X33 (Ref # 24)	92043-4005	1
SPRING,14X20 (Ref # 25)	92081-1287	1
ROLLER,CHAIN ADJUST (Ref # 26)	92122-4004	1
SPACER,CHN GDE ROLLER (Ref # 27)	92027-4007	1
BEARING,BALL (Ref # 28)	92045-1009	2
NUT,8M/M (Ref # 29)	317B0800	1