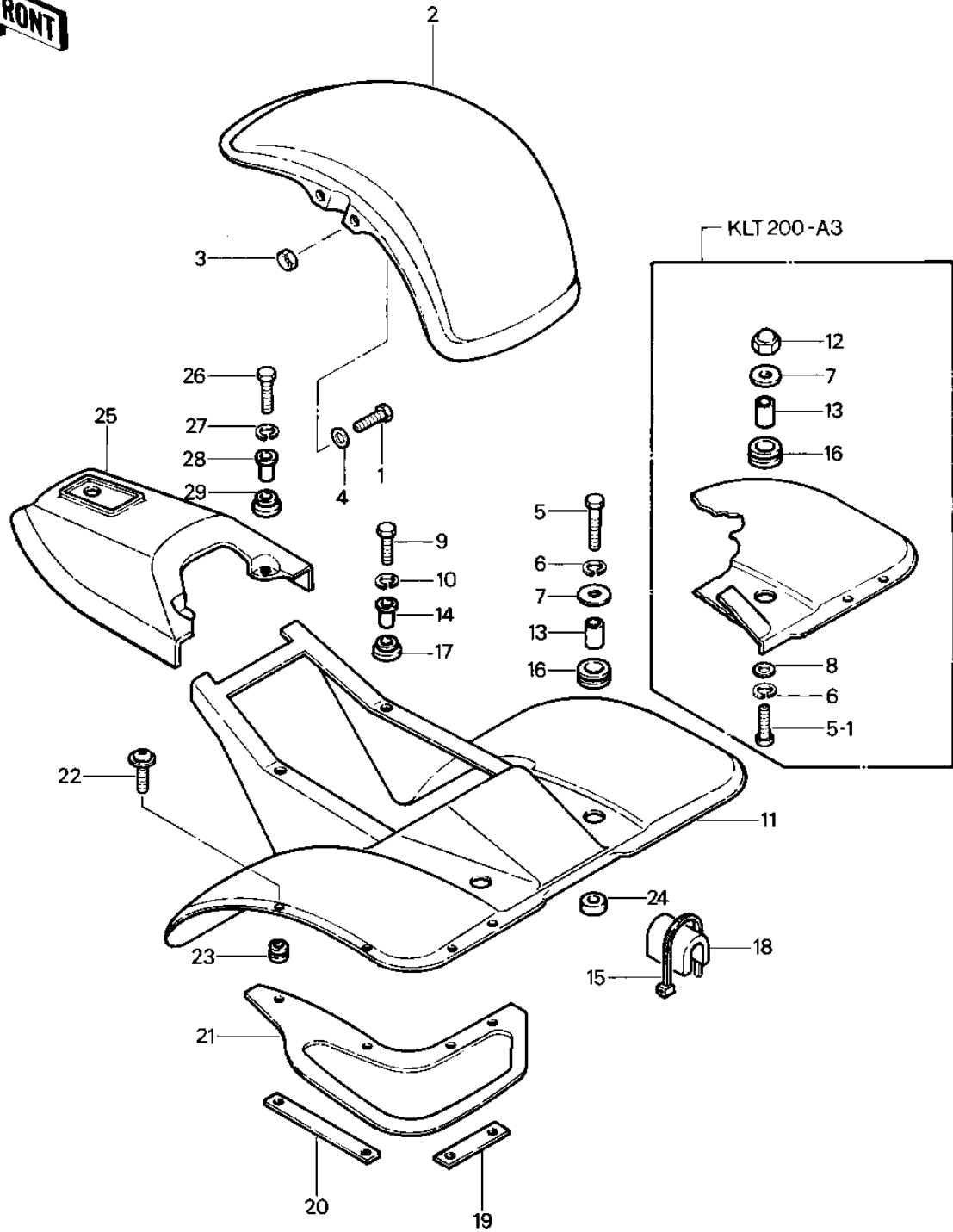


# 1981 KLT200 PARTS DIAGRAM

FENDERS/COVER ('81-'82 KLT200-A1/A2/A3)



# 1981 KLT200 PARTS LIST

FENDERS/COVER ('81-'82 KLT200-A1/A2/A3)

| ITEM NAME                           | PART NUMBER   | QUANTITY |
|-------------------------------------|---------------|----------|
| BOLT-UPSET,6X12 (Ref # 1)           | 112G0612      | 4        |
| FENDER, FRONT, LIME GREEN (Ref # 2) | 35004-4002-6W | 1        |
| NUT-6MM (Ref # 3)                   | 322N0600      | 4        |
| WASHER 6.5X20X1.6T (Ref # 4)        | 92022-125     | 4        |
| BOLT,8X40 (Ref # 5)                 | 115G0840      | 2        |
| WASHER SPRING 8MM (Ref # 6)         | 461F0800      | 2        |
| 92022-101 (Canada) (Ref # 7)        | 92022-092     | 2        |
| BOLT 6X22 (Ref # 9)                 | 112B0622      | 2        |
| WASHER SPRING 6MM (Ref # 10)        | 461F0600      | 2        |
| FENDER-RR,GREEN (Ref # 11)          | 35022-4002-6W | 1        |
| COLLAR (Ref # 13)                   | 92027-102     | 2        |
| COLLAR (Ref # 14)                   | 92027-194     | 2        |
| BAND (Ref # 15)                     | 92072-3509    | 2        |
| DAMPER RUBB TANK FRNT (Ref # 16)    | 92075-013     | 2        |
| DAMPER RUBBER (Ref # 17)            | 92075-112     | 2        |
| DAMPER (Ref # 18)                   | 92075-4023    | 2        |
| BRACKET,FLAP (Ref # 19)             | 11034-4062    | 2        |
| BRACKET,FLAP (Ref # 20)             | 11034-4063    | 2        |
| FLAP,FENDER (Ref # 21)              | 35019-4003    | 2        |
| SCREW,6X20 (Ref # 22)               | 92009-1289    | 8        |
| DAMPER RUBBER (Ref # 23)            | 92075-051     | 8        |
| SPACER,FLAP (Ref # 24)              | 92026-4007    | 2        |
| COVER,FR,GREEN (Ref # 25)           | 14025-4008-6W | 1        |
| BOLT 6X22 (Ref # 26)                | 112B0622      | 2        |
| WASHER SPRING 6MM (Ref # 27)        | 461F0600      | 2        |
| COLLAR (Ref # 28)                   | 92027-194     | 2        |
| DAMPER RUBBER (Ref # 29)            | 92075-112     | 2        |