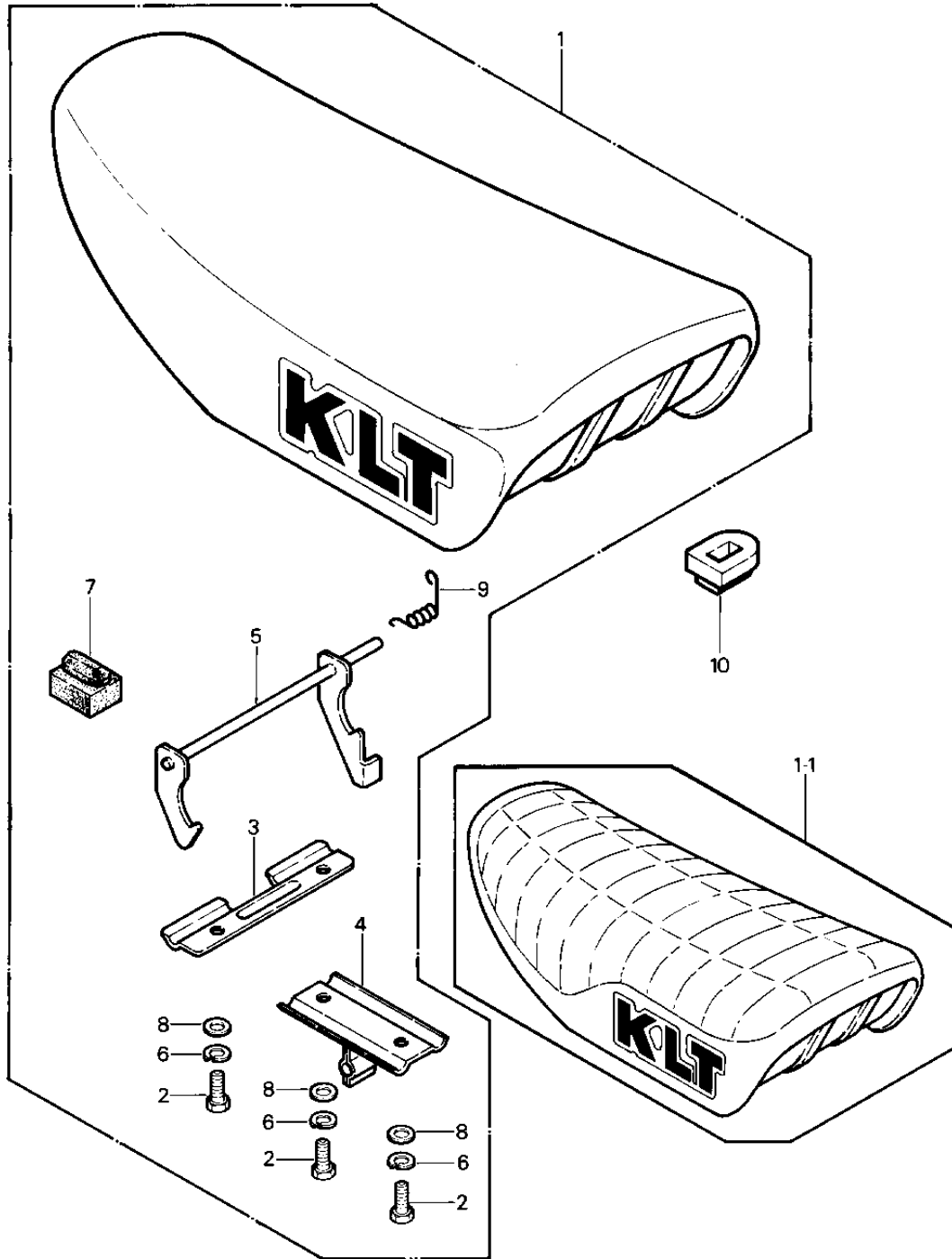


1982 KLT200 PARTS DIAGRAM

SEAT ('81-'82 KLT200-A1/A2/A3)



1982 KLT200 PARTS LIST

SEAT ('81-'82 KLT200-A1/A2/A3)

ITEM NAME	PART NUMBER	QUANTITY
SEAT-ASSY,WHITE LOGO (Ref # 1-1)	53001-4008	1
SEAT-ASSY,WHITE LOGO (Ref # 1-1)	53001-4008	1
BOLT-UPSET,6X12 (Ref # 2)	112G0612	6
BRACKET,SEAT (Ref # 3)	11034-4048	1
GUIDE-SEAT (Ref # 4)	13070-4002	2
LEVER (Ref # 5)	13236-4001	1
WASHER SPRING 6MM (Ref # 6)	461F0600	6
DAMPER RUBBER (Ref # 7)	92075-099	2
WASHER PLAIN 6MM (Ref # 8)	410B0600	6
SPRING (Ref # 9)	92081-4017	2
DAMPER RUBBER FUEL TA (Ref # 10)	92075-295	2