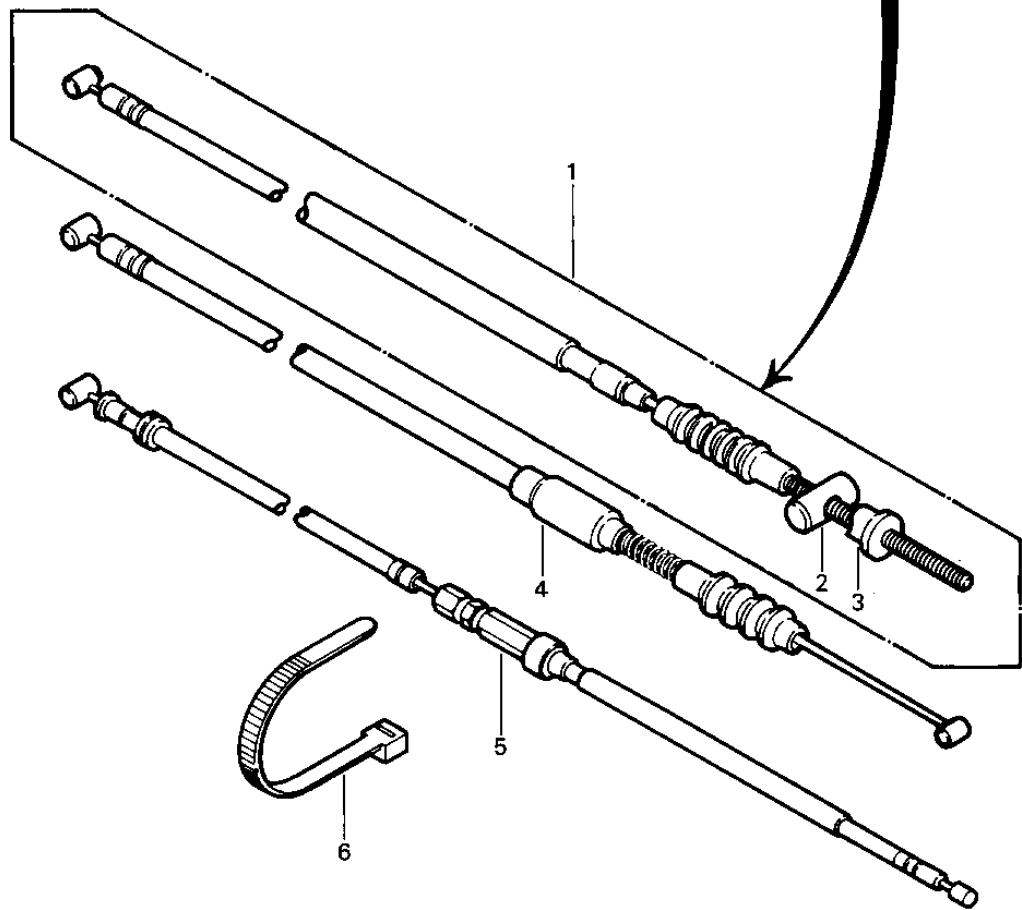


# 1981 KLT200 PARTS DIAGRAM

CABLES ('81-'82 KLT200-A1/A2/A3)



IMPORTANT  
FOR SPECIAL WARRANTY INFORMATION  
SEE SERVICE BULLETIN, FDM, 4/200-15



# 1981 KLT200 PARTS LIST

CABLES ('81-'82 KLT200-A1/A2/A3)

ITEM NAME	PART NUMBER	QUANTITY
CABLE,BRAKE (Ref # 1)	54005-4003	1
JOINT-BRAKE ROD (Ref # 2)	92043-082	1
NUT-BRAKE ROD ADJUST (Ref # 3)	92015-052	1
CABLE,CLUTCH (Ref # 4)	54011-4003	1
CABLE,THROTTLE (Ref # 5)	54012-4001	1
BAND (Ref # 6)	92072-3505	3