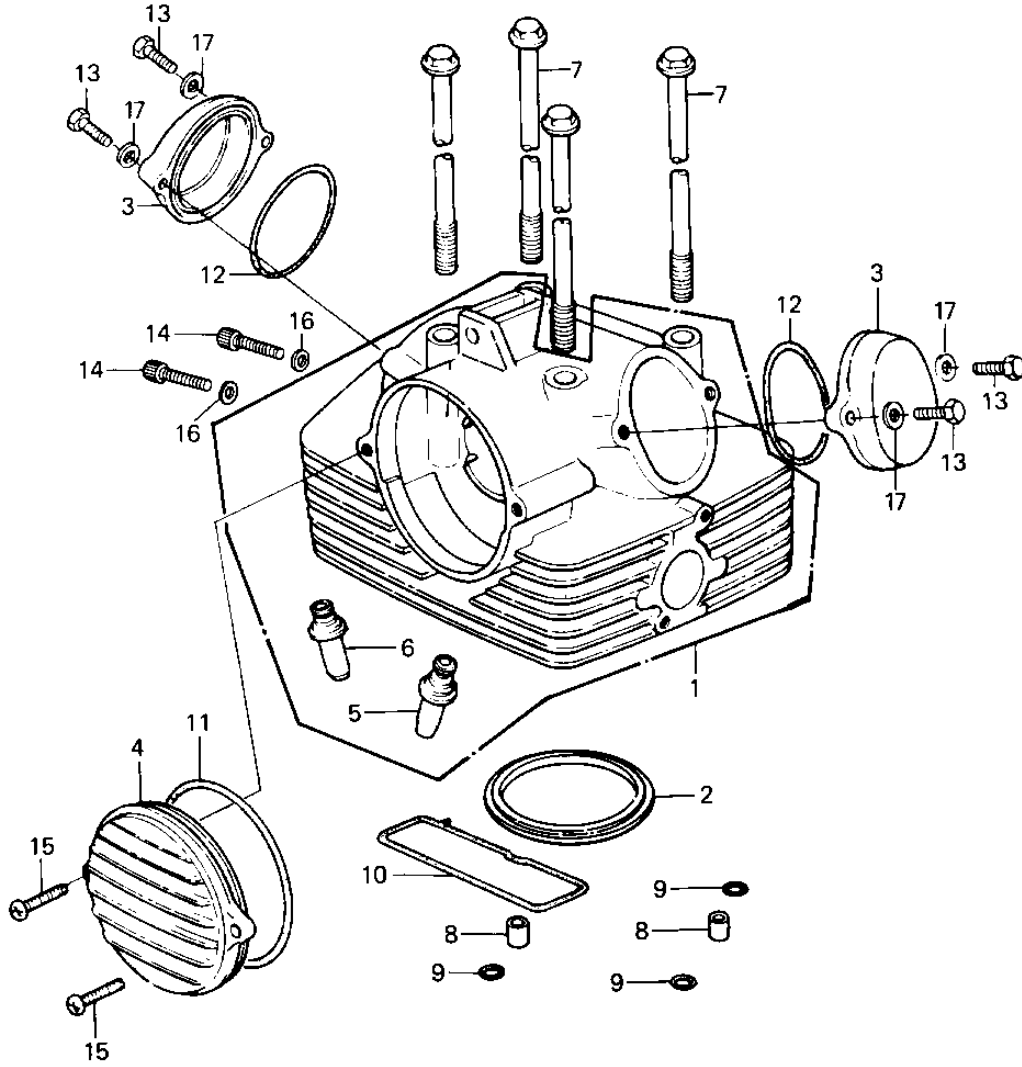


1983 Duckster PARTS DIAGRAM

CYLINDER HEAD/COVERS



1983 Duckster PARTS LIST

CYLINDER HEAD/COVERS

| ITEM NAME | PART NUMBER | QUANTITY |
|---------------------------------|-------------|----------|
| CYLINDER HEAD (Ref # 1) | 11002-5023 | 1 |
| GASKET,CYLINDER HEAD (Ref # 2) | 11004-1004 | 1 |
| CAP,ROCKER,FLAT BLACK (Ref # 3) | 11012-1078 | 2 |
| COVER,CAM,FLAT BLACK (Ref # 4) | 14025-1103 | 1 |
| GUIDE,INLET VALVE (Ref # 5) | 12013-003 | 1 |
| GUIDE,EXHAUST VALVE (Ref # 6) | 49002-1010 | 1 |
| BOLT,8X233 (Ref # 7) | 92003-220 | 4 |
| PIN,DOWEL,10X8.2X14 (Ref # 8) | 92043-1037 | 2 |
| RING-O,10MM (Ref # 9) | 92055-1149 | 3 |
| "O" RING (Ref # 10) | 92055-105 | 1 |
| "O" RING,99M/M (Ref # 11) | 92055-107 | 1 |
| "O" RING,53.5MM (Ref # 12) | 92055-112 | 2 |
| BOLT-UPSET (Ref # 13) | 112G0625 | 4 |
| BOLT,SOCKET,8X30 (Ref # 14) | 120P0830 | 2 |
| SCREW PAN HEAD 6X25 (Ref # 15) | 220B0625 | 2 |
| WASHER PLAIN 8MM (Ref # 16) | 410B0800 | 2 |
| WASHER PLAIN 6MM (Ref # 17) | 411B0600 | 4 |