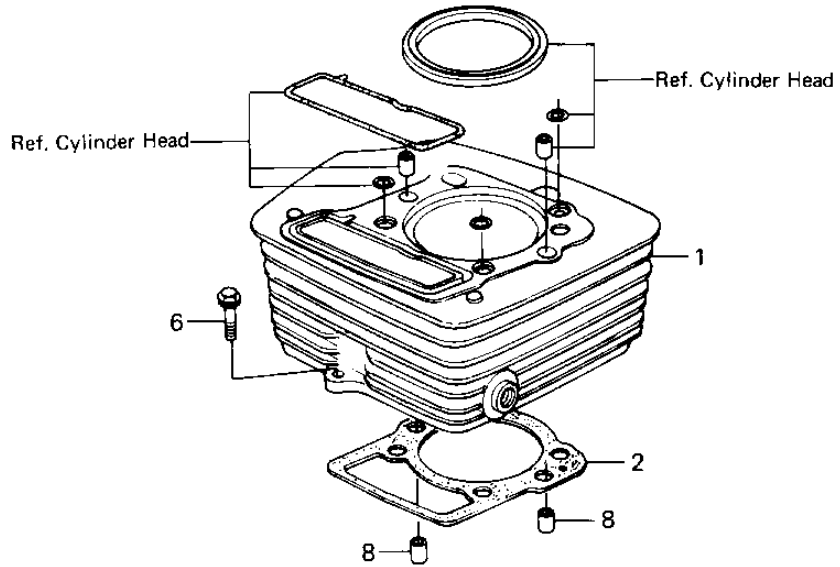
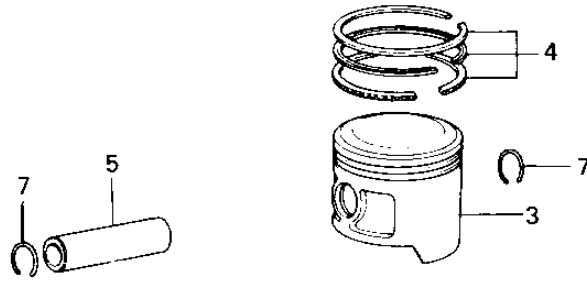


# 1983 Duckster PARTS DIAGRAM

## CYLINDER/PISTON



E 1120-0035



# 1983 Duckster PARTS LIST

## CYLINDER/PISTON

| ITEM NAME                      | PART NUMBER | QUANTITY |
|--------------------------------|-------------|----------|
| CYLINDER-ENGINE (Ref # 1)      | 11006-1011  | 1        |
| GASKET,CYLINDER BASE (Ref # 2) | 11009-043   | 1        |
| PISTON,STD (Ref # 3)           | 13001-083   | 1        |
| PISTON,0.020"O/S (Ref # 3)     | 13029-1001  | (1       |
| PISTON,0.040"O/S (Ref # 3)     | 13027-1001  | (1       |
| RING SET,STD (Ref # 4)         | 13008-5005  | 1        |
| RING SET,0.020'O.S (Ref # 4)   | 13025-5004  | (1       |
| RING SET,0.040'O.S (Ref # 4)   | 13024-5005  | (1       |
| PIN-PISTON (Ref # 5)           | 13002-026   | 1        |
| BOLT (Ref # 6)                 | 92003-202   | 1        |
| CIRCLIP,PISTON PIN (Ref # 7)   | 92036-021   | 2        |
| PIN,DOWEL,10X8.2X14 (Ref # 8)  | 92043-1037  | 2        |