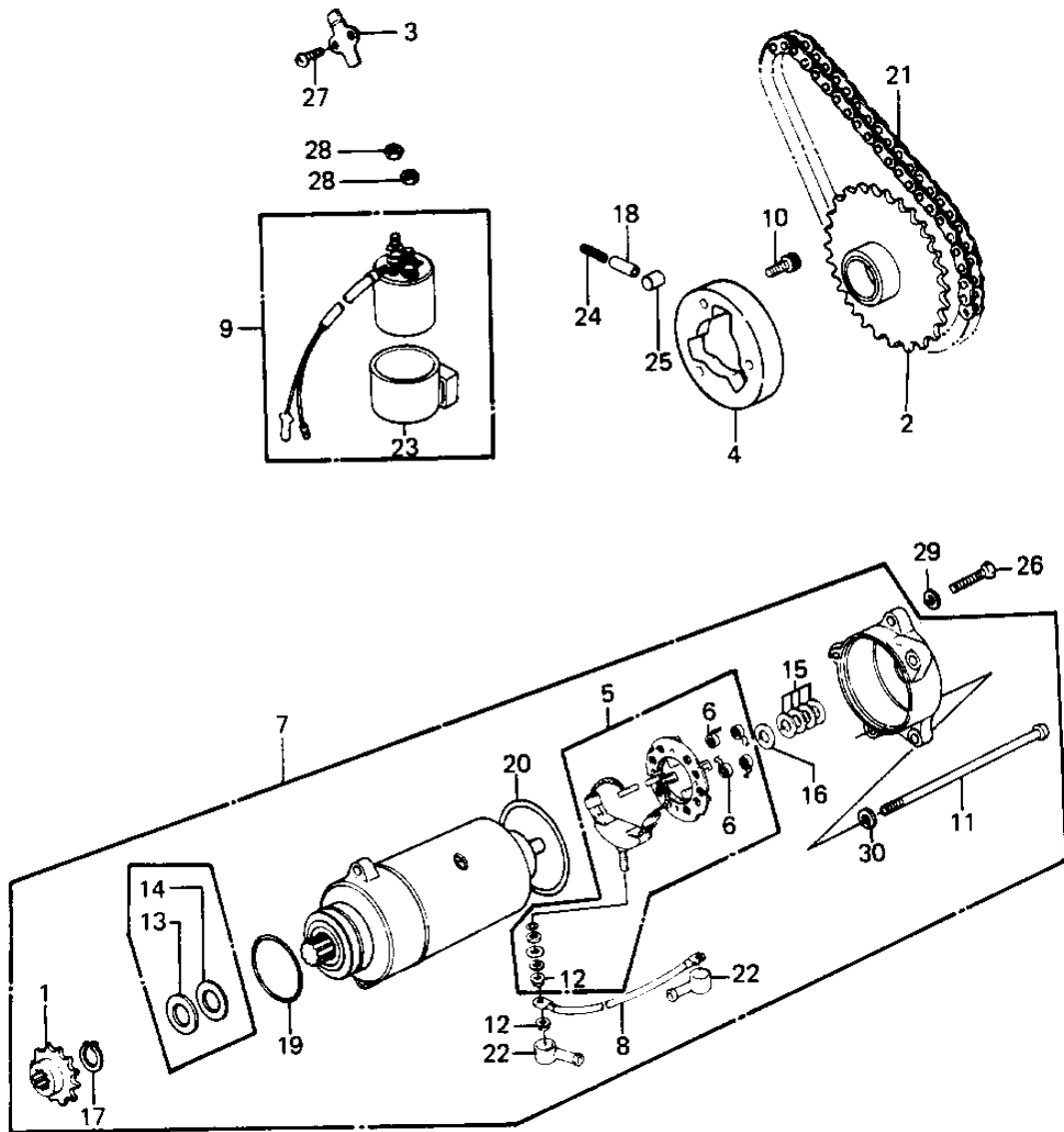


1983 Duckster PARTS DIAGRAM

STARTER MOTOR/STARTER CLUTCH



E1840-0037



1983 Duckster PARTS LIST

STARTER MOTOR/STARTER CLUTCH

ITEM NAME	PART NUMBER	QUANTITY
SPROCKET,STARTER MOTO (Ref # 1)	12046-1004	1
SPROCKET,STARTER CLUT (Ref # 2)	12046-1107	1
PLATE (Ref # 3)	13169-1010	1
CLUTCH,STARTER (Ref # 4)	13194-008	1
BRUSH,CARBON (Ref # 5)	21039-1007	1
UNAVAILABLE IN PRICE BOOK (Ref # 5)	23039-1006	1
SPRING CARBON BRUSH (Ref # 6)	21040-004	4
SPRING-BRUSH (Ref # 6)	21040-1003	4
STARTER-ELECTRIC (Ref # 7)	21163-1036	1
UNAVAILABLE IN PRICE BOOK (Ref # 7)	21165-1036	1
WIRE-LEAD,STARTER MOT (Ref # 8)	26011-1201	1
WIRE-LEAD,STARTER MOT (Ref # 8)	26011-1201	1
SWITCH ASSY,MAGNETIC (Ref # 9)	21164-005	1
BOLT (Ref # 10)	120P0816	3
SCREW,PAN HEAD,6X119 (Ref # 11)	92009-1097	2
BOLT,HEX HEAD,10X72 (Ref # 11)	92001-1049	2
NUT-6MM (Ref # 12)	92015-1078	2
WASHER,PLAIN,14MM (Ref # 13)	21025-008	1
WASHER PLAIN 14MM (Ref # 14)	21025-009	1
WASHER,THRUST,0.2T (Ref # 15)	21025-011	AR
WASHER,THRUST,0.8T (Ref # 16)	92022-1132	1
CIRCLIP,13M/M (Ref # 17)	92033-037	1
PIN (Ref # 18)	92043-132	3
"O" RING,42.8MM (Ref # 19)	21027-005	1
"O" RING,STARTER MOTR (Ref # 20)	92055-1086	1
CHAIN,DYNAMO (Ref # 21)	92057-1009	1
CAP,STARTING MOTOR (Ref # 22)	21017-020	2
DAMPER MAG SWITCH SHK (Ref # 23)	21064-002	1
SPRING,COIL (Ref # 24)	92081-159	3

1983 Duckster PARTS LIST

STARTER MOTOR/STARTER CLUTCH

ITEM NAME	PART NUMBER	QUANTITY
ROLLER (Ref # 25)	92122-006	3
BOLT-UPSET (Ref # 26)	112G0625	2
SCREW PAN HEAD 6X14 (Ref # 27)	220B0614	1
NUT,6M/M (Ref # 28)	311G0600	2
WASHER PLAIN 6MM (Ref # 29)	411B0600	2
WASHER SPRING 6MM (Ref # 30)	461F0600	2