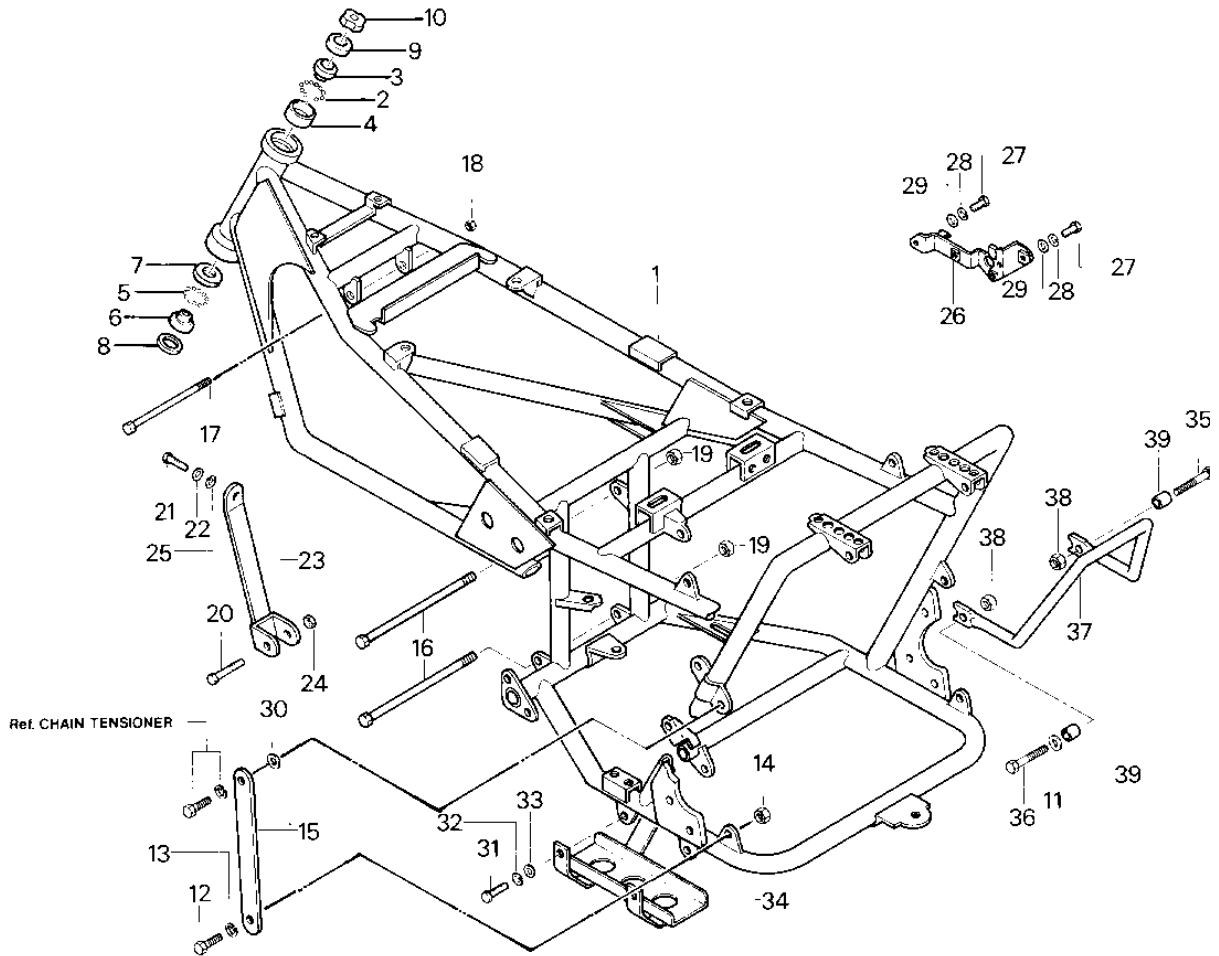


# 1983 Duckster PARTS DIAGRAM

## FRAME/FRAME FITTINGS



# 1983 Duckster PARTS LIST

## FRAME/FRAME FITTINGS

ITEM NAME	PART NUMBER	QUANTITY
FRAME (Ref # 1)	32002-4008	1
BALL STEEL 3/16' (Ref # 2)	600A0600	23
CONE,STRG STM BRG,UP (Ref # 3)	92047-014	1
RACE,STRG STM BEARING (Ref # 4)	92048-009	1
BALL STEEL 1/4' (Ref # 5)	600A0800	19
CONE STERNG BERG LOW (Ref # 6)	92047-010	1
RACE STEERING BEARING (Ref # 7)	92048-005	1
SEAL,STEERING STEM (Ref # 8)	44010-027	1
CAP,STEERING STEM (Ref # 9)	46098-012	1
NUT,STEERING STEM (Ref # 10)	92015-4007	1
WASHER SEAL PLATE (Ref # 11)	92022-101	2
BOLT-SMALL-UPSET,8X18 (Ref # 12)	115G0818	1
WASHER SPRING 8MM (Ref # 13)	461F0800	1
NUT,8M/M (Ref # 14)	317B0800	1
BRACKET,FRAME (Ref # 15)	32021-4030	2
BOLT, FLANGED, 10X110 (Ref # 16)	92001-1602	2
BOLT-FLANGE (Ref # 17)	92001-1582	1
NUT,LOCK,8MM (Ref # 18)	92015-1124	1
NUT,LOCK,10MM (Ref # 19)	92019-021	2
BOLT-SMALL-UPSET (Ref # 20)	115B0865	1
BOLT,8X20 (Ref # 21)	115G0820	1
WASHER SPRING 8MM (Ref # 22)	461F0800	1
BRACKET,ENGINE (Ref # 23)	32029-4018	1
NUT,LOCK,8MM (Ref # 24)	92015-1124	1
WASHER,8X26X2.3 (Ref # 25)	92022-1564	1
BRACKET,ELECTRIC BASE (Ref # 26)	11034-4183	1
BOLT-UPSET,6X12 (Ref # 27)	112G0612	2
WASHER SPRING 6MM (Ref # 28)	461F0600	2
WASHER PLAIN 6MM (Ref # 29)	411B0600	2

# 1983 Duckster PARTS LIST

## FRAME/FRAME FITTINGS

ITEM NAME	PART NUMBER	QUANTITY
WASHER,12.4X28X4.5 (Ref # 30)	92022-1196	1
BOLT, HEX HEAD, 8 X 20 (Ref # 31)	114B0820	3
WASHER SPRING 8MM (Ref # 32)	461F0800	3
92022-101 (Canada) (Ref # 33)	92022-092	3
GUARD (Ref # 34)	55020-4016	1
BOLT-SMALL-UPSET (Ref # 35)	115B0865	1
BOLT-SMALL-UPSET,8X55 (Ref # 36)	115G0855	1
GUARD-BEIGE RR-STAY (Ref # 37)	55020-4021-8M	1
NUT,LOCK,8MM (Ref # 38)	92015-1124	2
COLLAR,REAR STAY (Ref # 39)	92027-4014	2