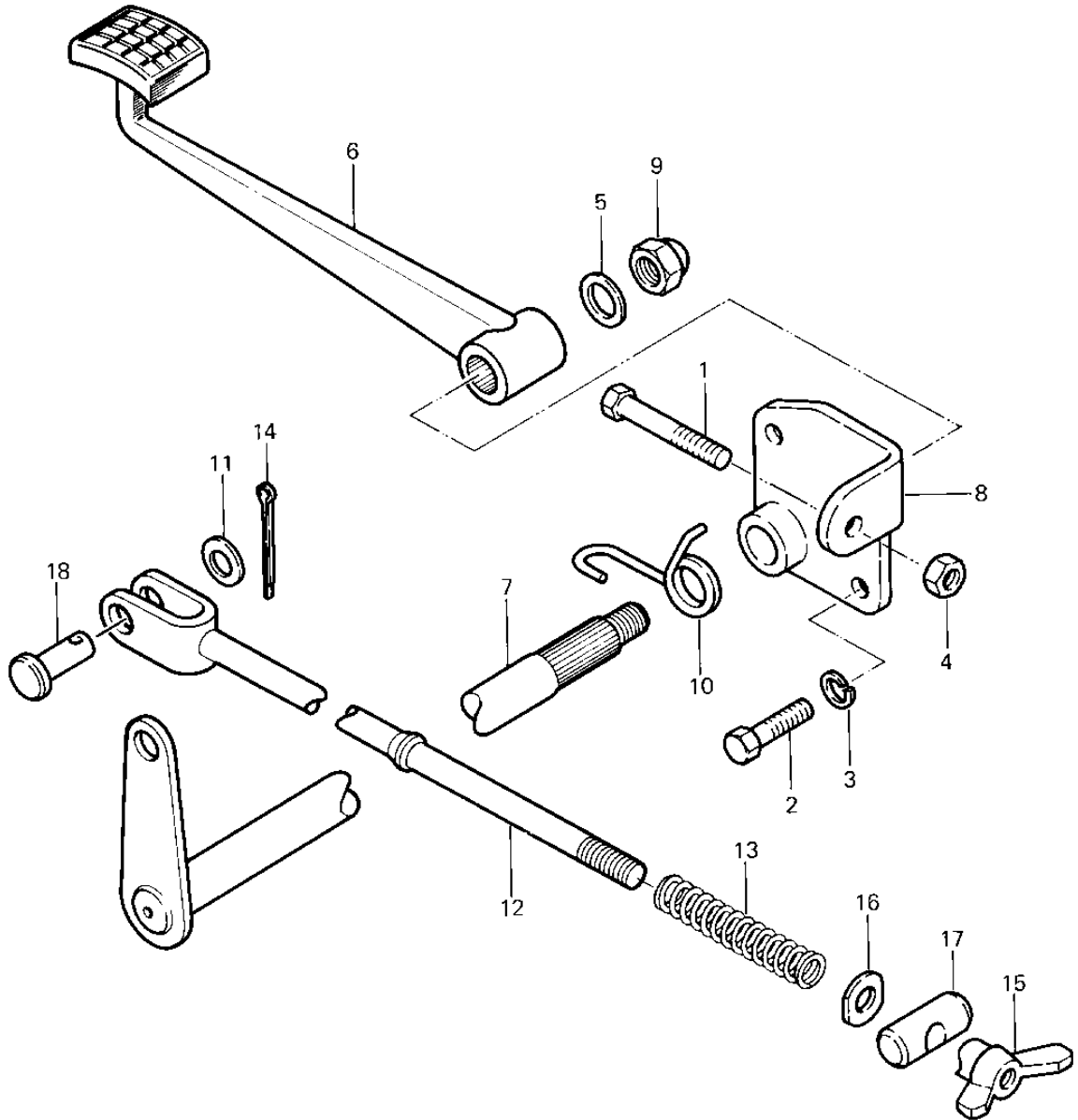


1983 KLT200 PARTS DIAGRAM

BRAKE PEDAL ('83 KLT200-A4/A4A)



1983 KLT200 PARTS LIST

BRAKE PEDAL ('83 KLT200-A4/A4A)

| ITEM NAME | PART NUMBER | QUANTITY |
|----------------------------------|-------------|----------|
| BOLT-UPSET (Ref # 1) | 112G0625 | 1 |
| BOLT-UPSET 6X14 (Ref # 2) | 112B0614 | 2 |
| WASHER SPRING 6MM (Ref # 3) | 461F0600 | 2 |
| NUT 6MM (Ref # 4) | 311B0600 | 1 |
| WASHER PLAIN 10MM (Ref # 5) | 411B1000 | 1 |
| LEVER-BRAKE,RR (Ref # 6) | 43001-4006 | 1 |
| BRAKE LEVER RR (Ref # 6) | 43001-4012 | 1 |
| SHAFT-BRAKE (Ref # 7) | 43004-4001 | 1 |
| HOLDER-BRAKE (Ref # 8) | 43034-4001 | 1 |
| NUT SHOCK ABSORBER (Ref # 9) | 92020-003 | 1 |
| SPRING,BRAKE PEDAL (Ref # 10) | 92081-1337 | 1 |
| WASHER PLAIN 8MM (Ref # 11) | 410B0800 | 1 |
| ROD-BRAKE (Ref # 12) | 43011-4005 | 1 |
| SPRING,BRAKE ROD (Ref # 13) | 43012-001 | 1 |
| PIN COTTER 2.0X15 (Ref # 14) | 550D2015 | 1 |
| NUT,WING,6M/M (Ref # 15) | 92015-4004 | 1 |
| WASHER, BRAKE ROD (Ref # 16) | 92022-4003 | 1 |
| PIN-BRAKE ROD (Ref # 17) | 92043-065 | 1 |
| PIN-BRAKE ROD FITTING (Ref # 18) | 92043-064 | 1 |