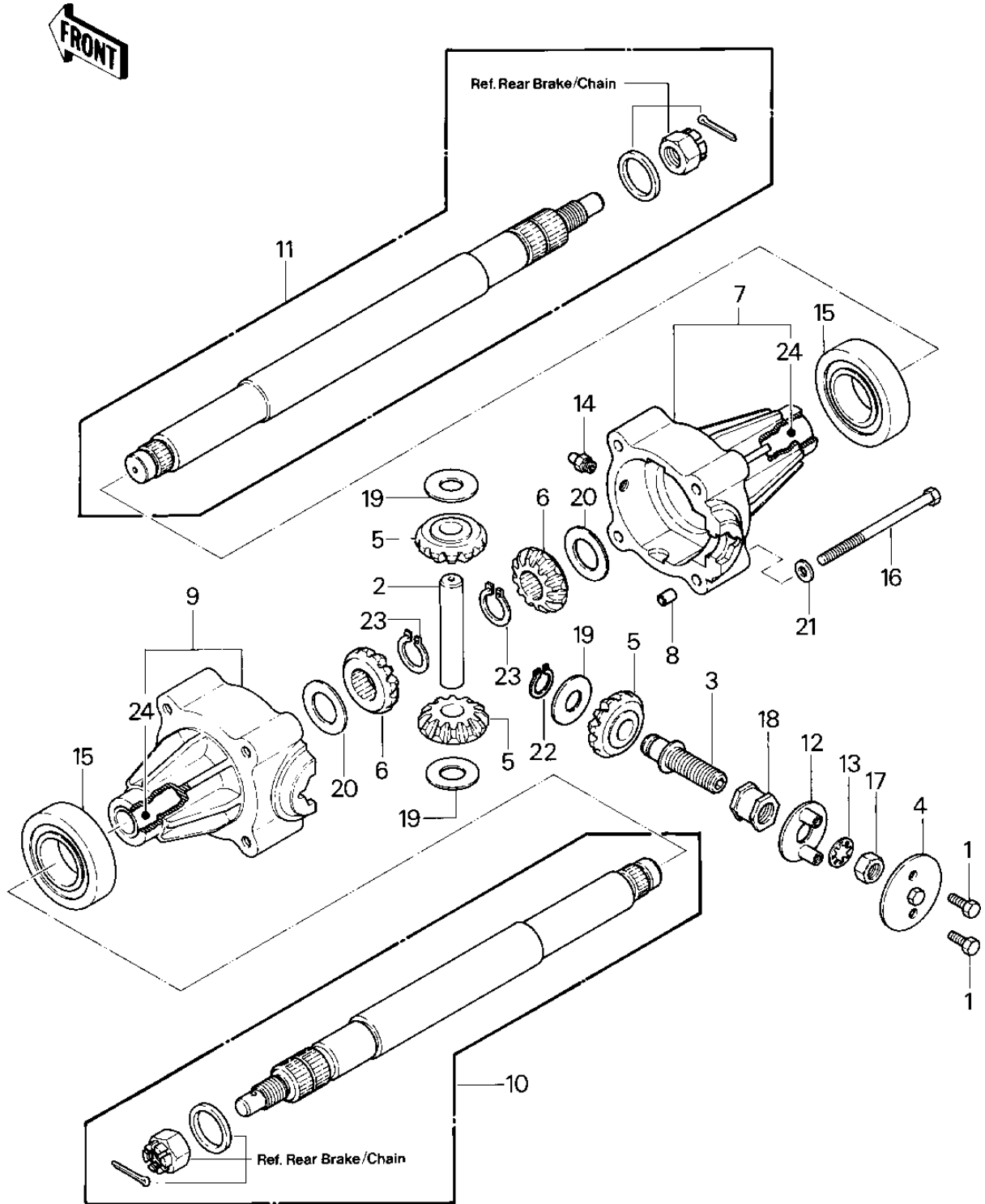


# 1983 KLT200 PARTS DIAGRAM

REAR AXLE ('83 KLT200-A4/A4A)



# 1983 KLT200 PARTS LIST

## REAR AXLE ('83 KLT200-A4/A4A)

ITEM NAME	PART NUMBER	QUANTITY
BOLT,FLANGED,6X12 (Ref # 1)	130G0612	2
SHAFT (Ref # 2)	13107-4001	1
SHAFT (Ref # 3)	13107-4009	1
PLATE LOCKING (Ref # 4)	13169-4011	1
GEAR (Ref # 5)	16085-4003	3
GEAR (Ref # 6)	16085-4004	2
CASE-GEAR,RIGHT (Ref # 7)	32099-4010	1
PIN,10.1X12X14 (Ref # 8)	92043-4009	4
CASE-GEAR,LEFT (Ref # 9)	32099-4009	1
AXLE ASSY,LH 13.45" (Ref # 10)	41067-4009	1
AXLE ASSY,RH 17.24" (Ref # 11)	41067-4008	1
FLANGE,AXLE (Ref # 12)	41086-4006	1
WASHER,TOOTHED,16M/M (Ref # 13)	463H1600	1
NIPPLE,GREASE (Ref # 14)	49001-4001	1
BEARING (Ref # 15)	601A6008UU	2
BOLT,10X103 (Ref # 16)	92001-1842	4
NUT (Ref # 17)	92015-4009	1
NUT (Ref # 18)	92015-4013	1
WASHER (Ref # 19)	92022-4008	3
WASHER (Ref # 20)	92022-4009	2
WASHER PLAIN 10MM (Ref # 21)	410B1000	4
RING (Ref # 22)	92033-4001	1
RING,SNAP (Ref # 23)	92033-4002	2
BUSHING (Ref # 24)	92028-4003	2