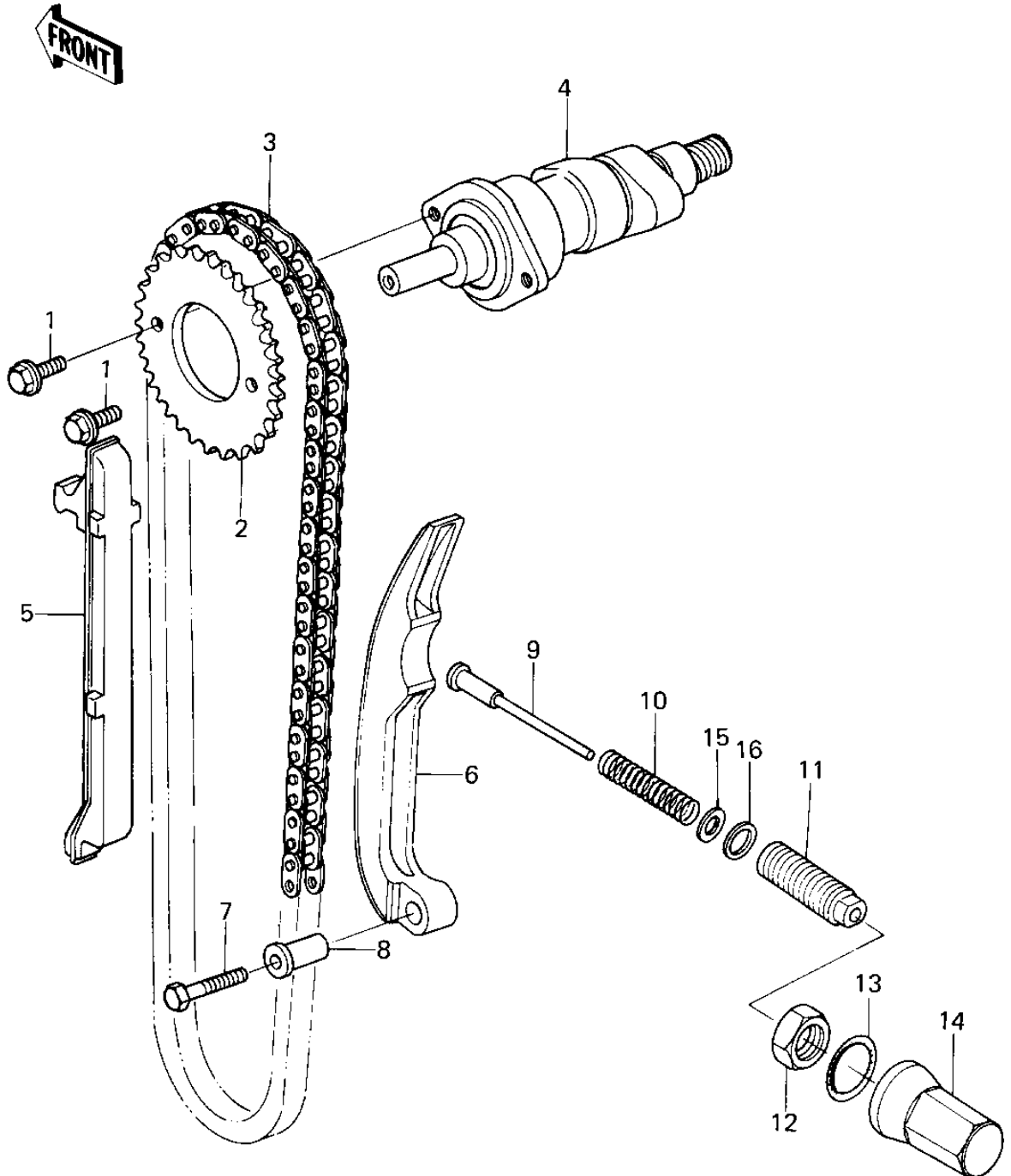


1979 KZ200-A2 PARTS DIAGRAM

CAMSHAFT/CHAIN/TENSIONER



1979 KZ200-A2 PARTS LIST

CAMSHAFT/CHAIN/TENSIONER

ITEM NAME	PART NUMBER	QUANTITY
BOLT,SPROCKET FITTING (Ref # 1)	92003-208	
SPROCKET,CAM SHAFT (Ref # 2)	12046-1007	
SPROCKET,CAM SHAFT (Ref # 2)	12046-1007	
CHAIN,CAM (Ref # 3)	21070-013	
SHAFT,CAM (Ref # 4)	12044-1040	
SLIPER,CAM CHAIN (Ref # 5)	12053-023	
SLIPER,CAM CHAIN (Ref # 6)	12053-024	
BOLT-UPSET (Ref # 7)	112G0630	
COLLAR (Ref # 8)	92027-155	
ROD,PUSH (Ref # 9)	13116-1003	
SPRING,CHAIN TENSINR (Ref # 10)	92081-131	
GUIDE,PUSH ROD (Ref # 11)	92001-1271	
NUT,LOCK (Ref # 12)	92016-054	
"O" RING,22MM (Ref # 13)	92055-018	
CAP,CAM CHAIN TENSION (Ref # 14)	12064-005	
WASHER,PLAIN (Ref # 15)	92022-1029	
WASHER,PLAIN (Ref # 16)	92022-1030	