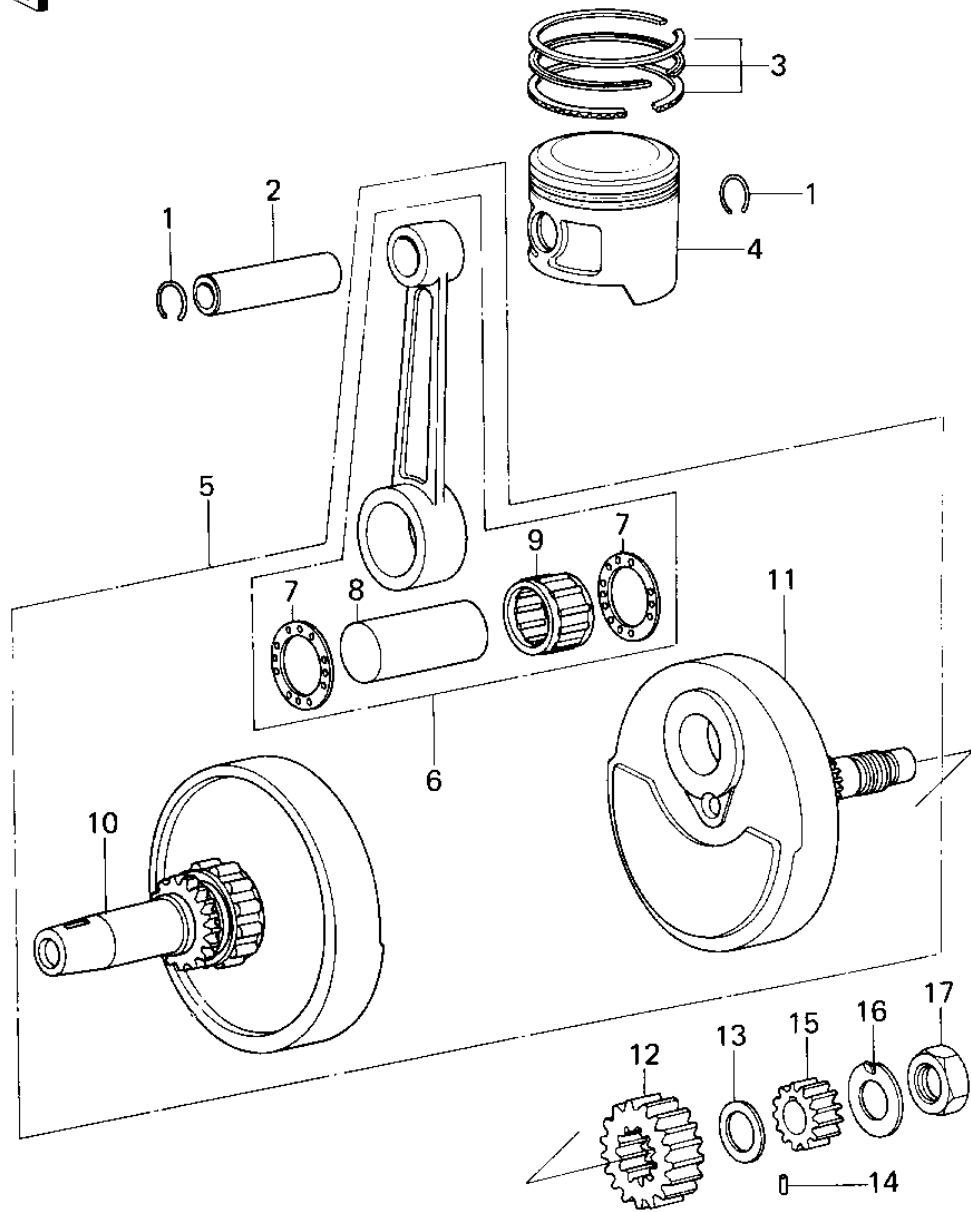


1978 KZ200-A1A PARTS DIAGRAM

CRANKSHAFT/PISTON



1978 KZ200-A1A PARTS LIST

CRANKSHAFT/PISTON

ITEM NAME	PART NUMBER	QUANTITY
-----------	-------------	----------