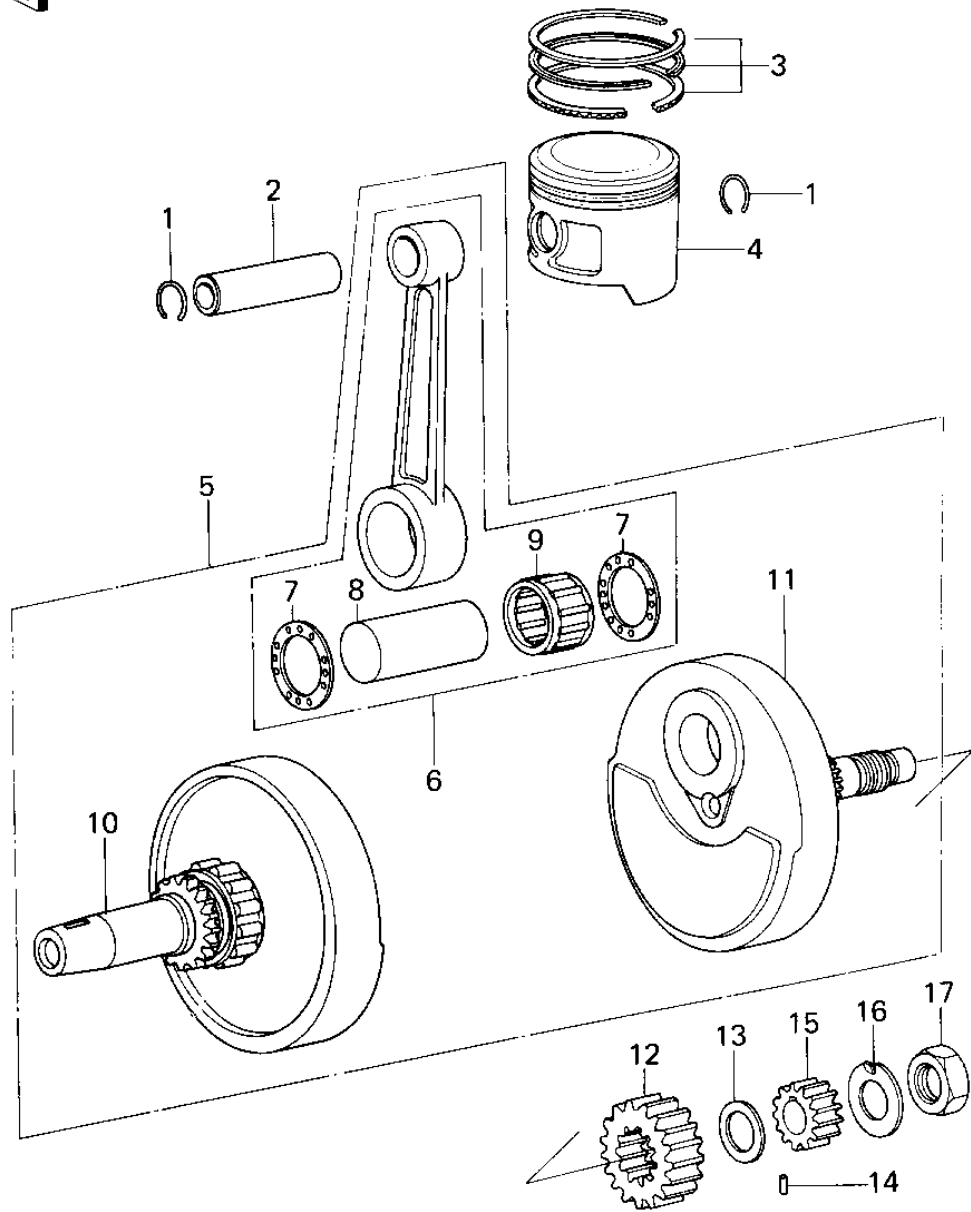


1979 KZ200-A2 PARTS DIAGRAM

CRANKSHAFT/PISTON



1979 KZ200-A2 PARTS LIST

CRANKSHAFT/PISTON

ITEM NAME	PART NUMBER	QUANTITY
CIRCLIP,PISTON PIN (Ref # 1)	92036-021	
PIN-PISTON (Ref # 2)	13002-026	
RING SET,STD (Ref # 3)	13008-5005	
RING SET,0.020"0.S (Ref # 3)	13025-5004	
RING SET,0.040"0.S (Ref # 3)	13024-5005	
PISTON,STD (Ref # 4)	13001-083	
PISTON,0.020"0/S (Ref # 4)	13029-1001	
PISTON,0.040"0/S (Ref # 4)	13027-1001	
CRANKSHAFT ASSY (Ref # 5)	13031-055	
CONNECTING ROD ASSY (Ref # 6)	13044-5006	
CONNECTING ROD ASSY (Ref # 6)	13044-5006	
SPACER,CONNECTING ROD (Ref # 7)	92026-087	
PIN,CRANK (Ref # 8)	13035-035	
BRG,NEEDLE PK293921.4 (Ref # 9)	13034-031	
CRANKSHAFT,L.H (Ref # 10)	13037-5001	
CRANKSHAFT,RH (Ref # 11)	13037-1149	
GEAR,PRIMARY (Ref # 12)	13121-035	
WASHER-THRUST (Ref # 13)	92022-170	
PIN DOWEL 3X12 (Ref # 14)	551A0312	
GEAR,OIL PUMP (Ref # 15)	16084-018	
WASHER,LOCK,16M/M (Ref # 16)	420B1611	
NUT 16MM (Ref # 17)	315B1600	