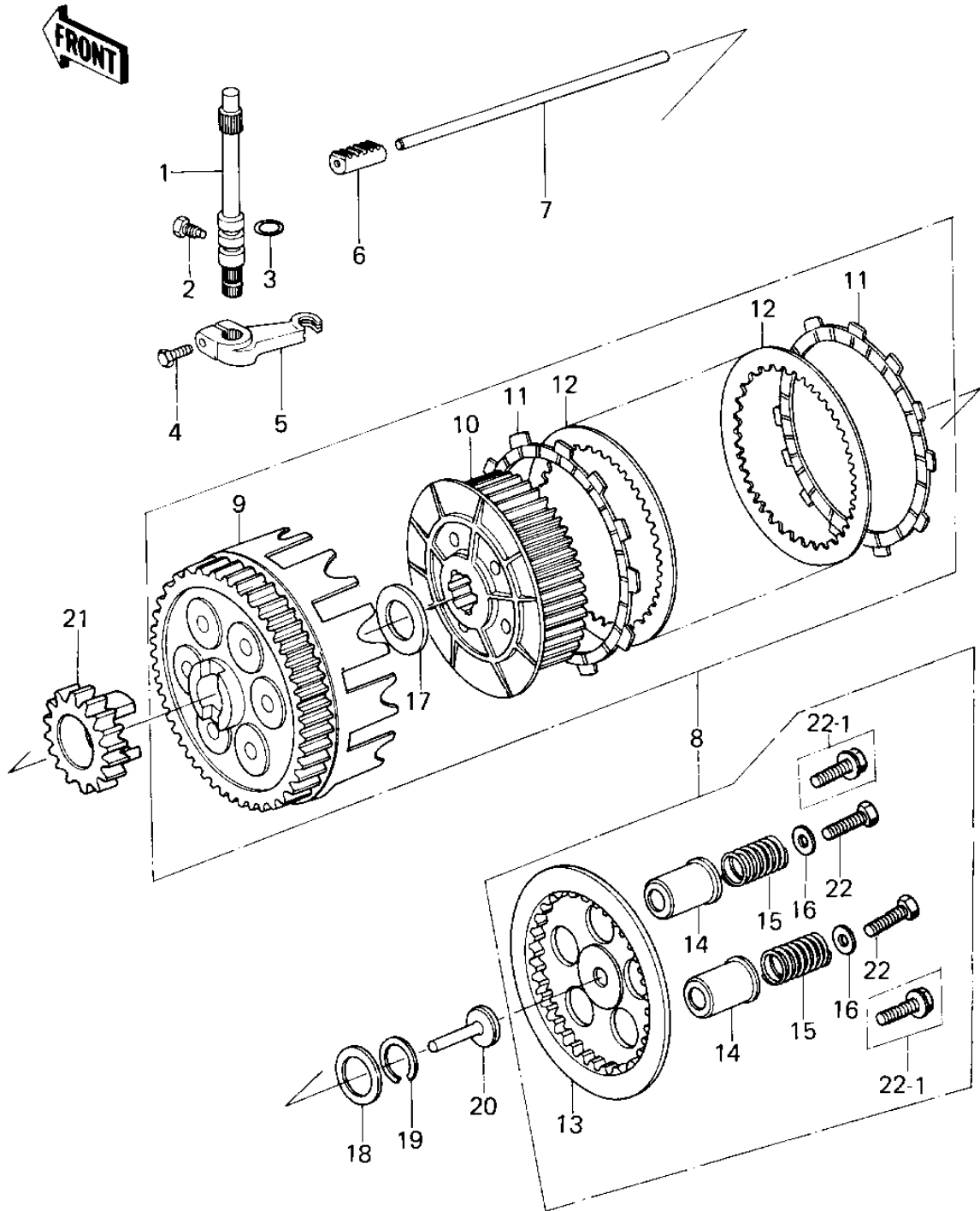


1978 KZ200-A1A PARTS DIAGRAM

CLUTCH



1978 KZ200-A1A PARTS LIST

CLUTCH

ITEM NAME	PART NUMBER	QUANTITY
SHAFT,CLUTCH RELEASE (Ref # 1)	13106-006	
BOLT,CLUTCH RELEASE (Ref # 2)	92003-130	
"O" RING, 10MM (Ref # 3)	670B2010	
BOLT-UPSET (Ref # 4)	112G0618	
LEVER,CLUTCH RELEASE (Ref # 5)	13103-028	
ROD,CLUTCH PUSH (Ref # 6)	13116-1040	
ROD,PUSH (Ref # 7)	13116-032	
ROD,CLUTCH PUSH,LONG (Ref # 7)	13116-1002	
CLUTCH-ASSY (Ref # 8)	13081-083	
CLUTCH-ASSY (Ref # 8)	13081-1051	
HOUSING,CLUTCH (Ref # 9)	13095-1006	
HOUSING,CLUTCH (Ref # 9)	13095-1006	
HUB,CLUTCH (Ref # 10)	13087-045	
HUB,CLUTCH (Ref # 10)	13087-1001	
PLATE CLUTCH FRICTION (Ref # 11)	13088-015	
PLATE CLUTCH FRICTION (Ref # 11)	13088-015	
PLATE CLUTCH STEEL (Ref # 12)	13089-013	
PLATE CLUTCH STEEL (Ref # 12)	13089-013	
PLATE-CLUTCH SPRING (Ref # 13)	13187-005	
GUIDE CLUTCH SPRING (Ref # 14)	13092-005	
SPRING-CLUTCH (Ref # 15)	92081-083	
SPRING-CLUTCH (Ref # 15)	92081-083	
HOLDER,CLUTCH SPRING (Ref # 16)	13091-011	
WASHER,PLAIN (Ref # 17)	92022-321	
WASHER, PLAIN (Ref # 18)	92022-112	
CIRCLIP,18MM (Ref # 19)	92033-029	
PUSHER-CLTCH SPRG PLT (Ref # 20)	13116-016	
PINION,KICKSTARTER (Ref # 21)	13075-012	
BOLT-UPSET (Ref # 22)	112G0618	