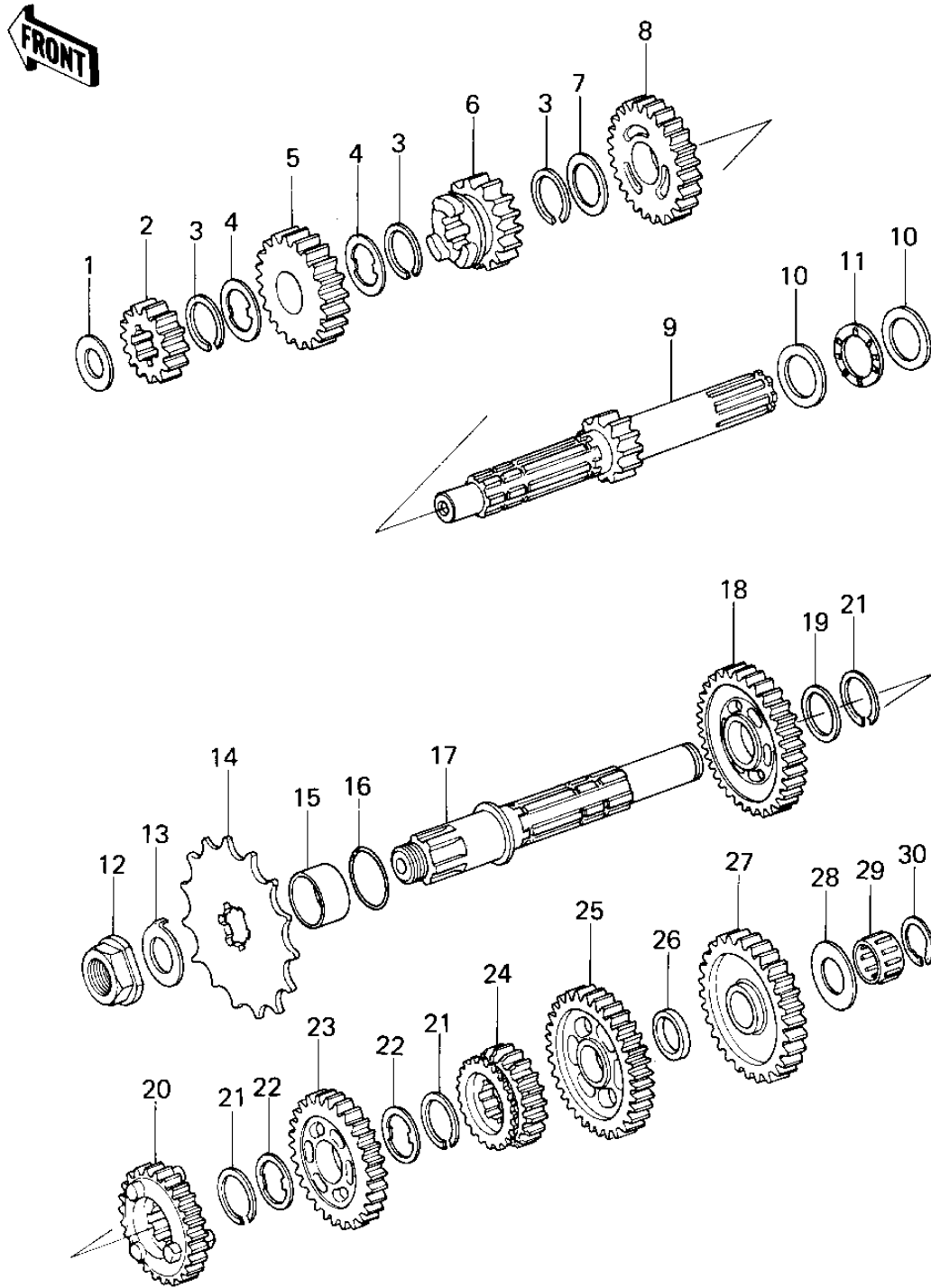


# 1978 KZ200-A1A PARTS DIAGRAM

## TRANSMISSION



# 1978 KZ200-A1A PARTS LIST

## TRANSMISSION

ITEM NAME	PART NUMBER	QUANTITY
WASHER,THRUST,15MM (Ref # 1)	92022-279	
2ND GEAR,DRIVE SHAFT (Ref # 2)	13129-1022	
CIRCLIP,25MM (Ref # 3)	92033-025	
WASHER-LOCK (Ref # 4)	92024-039	
4TH GEAR,DRIVE SHAFT (Ref # 5)	13134-026	
GEAR,INPUT,3RD,20T (Ref # 6)	13129-1284	
WASHER-PLAIN (Ref # 7)	92022-198	
TOP GEAR,DRIVE SHAFT (Ref # 8)	13136-057	
SHAFT,DRIVE (Ref # 9)	13127-053	
WASHER,PLAIN (Ref # 10)	92022-314	
BRG,NEEDLE,AXK1104 (Ref # 11)	92046-052	
NUT,LOCK,16M/M (Ref # 12)	92015-1013	
WASHER,LOCK (Ref # 13)	92022-1017	
ENGINE SPROCKET,15T (Ref # 14)	13144-069	
COLLAR,ENGINE SPROCKT (Ref # 15)	92027-287	
"O" RING (Ref # 16)	92055-022	
SHAFT,OUTPUT (Ref # 17)	13128-1007	
SHAFT,OUTPUT (Ref # 17)	13128-1007	
2ND GEAR,OUTPUT 26T (Ref # 18)	13131-044	
WASHER-PLAIN (Ref # 19)	92022-198	
GEAR,OUTPUT 4TH,21T (Ref # 20)	13129-1285	
CIRCLIP,25MM (Ref # 21)	92033-025	
WASHER-LOCK (Ref # 22)	92024-039	
3RD GEAR,OUTPUT SHAFT (Ref # 23)	13133-044	
TOP GEAR,OUTPUT SHAFT (Ref # 24)	13137-037	
LOW GEAR,OUTPUT SHAFT (Ref # 25)	13129-058	
SPACER (Ref # 26)	92026-114	
IDLE GEAR,KICKSTARTER (Ref # 27)	13073-013	
WASHER,PLAIN (Ref # 28)	92022-270	