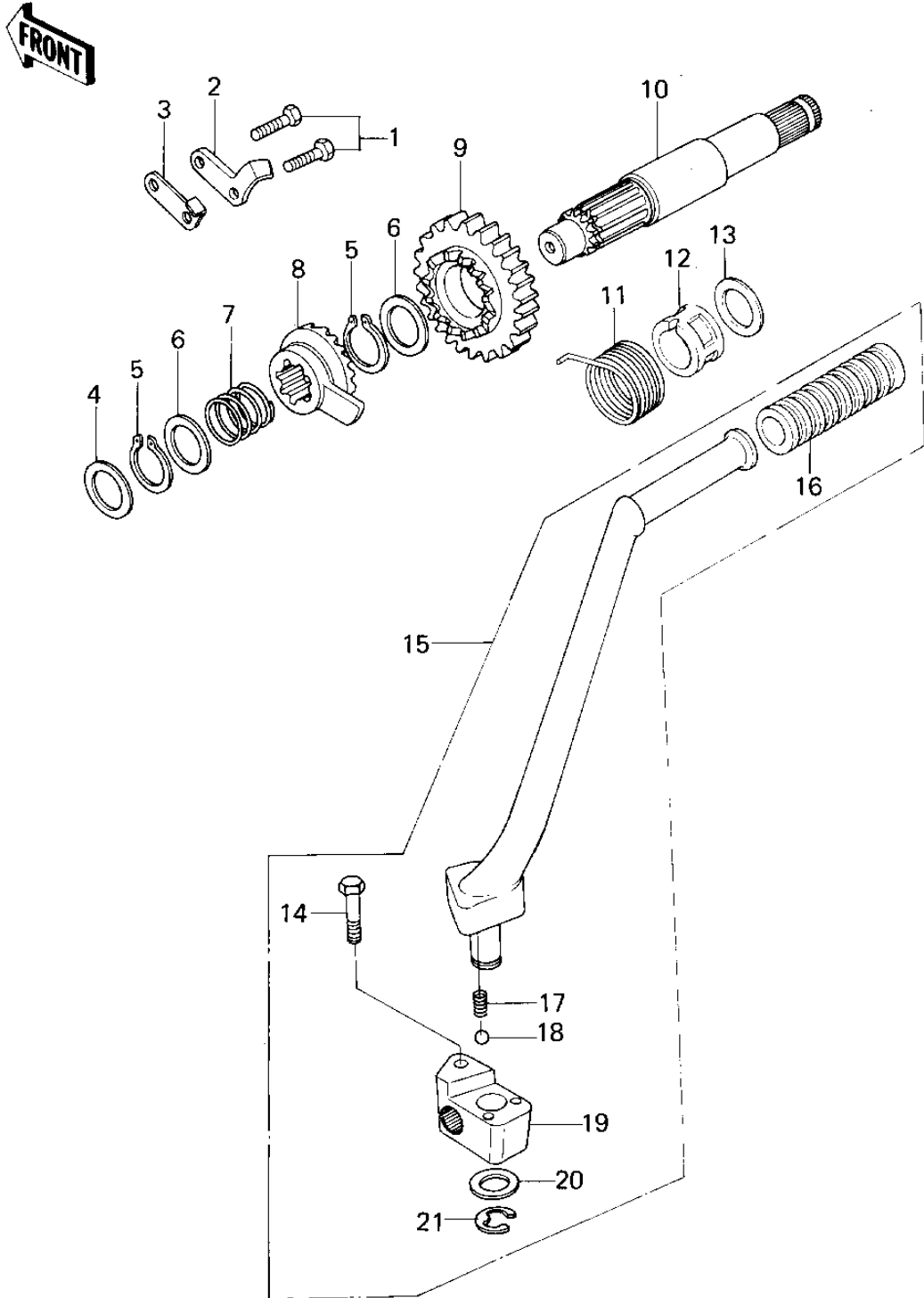


1978 KZ200-A1A PARTS DIAGRAM

KICKSTARTER MECHANISM



1978 KZ200-A1A PARTS LIST

KICKSTARTER MECHANISM

ITEM NAME	PART NUMBER	QUANTITY
BOLT-UPSET (Ref # 1)	112G0618	
GUIDE,KICK RATCHET (Ref # 2)	13206-1004	
STOPPER,KICKSTARTER (Ref # 3)	13072-017	
WASHER,PLAIN (Ref # 4)	92022-269	
CIRCLIP 16MM (Ref # 5)	480J1600	
WASHER,PLAIN (Ref # 6)	92022-315	
SPRING,RATCHET (Ref # 7)	92081-122	
RATCHET,KL250-D2 (Ref # 8)	13078-1052	
GEAR-COMP,KICKSTARTER (Ref # 9)	13216-1099	
SHAFT,KICKSTARTER (Ref # 10)	13066-044	
SPRING-KICKSTARTER (Ref # 11)	92082-003	
GUID,KICKSTARTER SPRG (Ref # 12)	13070-011	
WASHER THRUST (Ref # 13)	92022-118	
BOLT HEX HEAD 8X32 (Ref # 14)	114G0832	
PEDAL ASSY,KICKSTARTR (Ref # 15)	13064-1020	
PEDAL ASSY,KICKSTARTR (Ref # 15)	13064-1020	
RUBBER KICK PEDAL (Ref # 16)	13063-004	
SPRING (Ref # 17)	92081-154	
BALL STEEL 1/4' (Ref # 18)	600A0800	
BOSS,KICK PEDAL (Ref # 19)	13061-031	
WASHER,PLAIN (Ref # 20)	92022-1019	
CIR CLIP (Ref # 21)	482K0100	