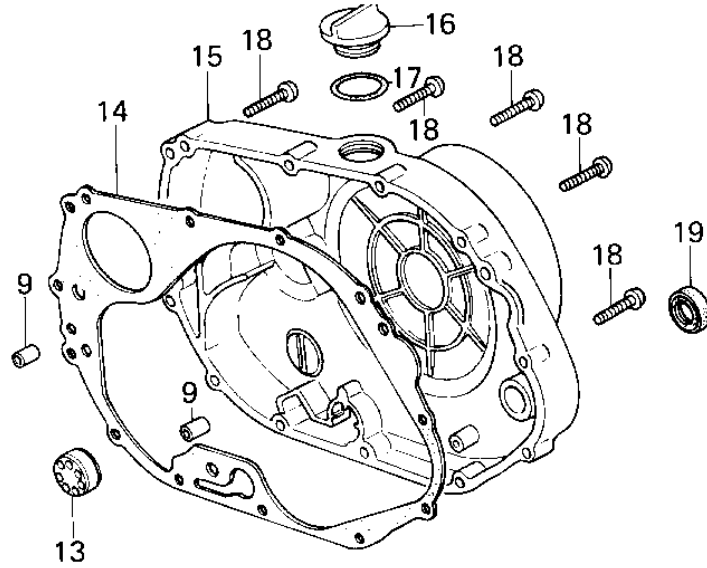


1978 KZ200-A1A PARTS DIAGRAM

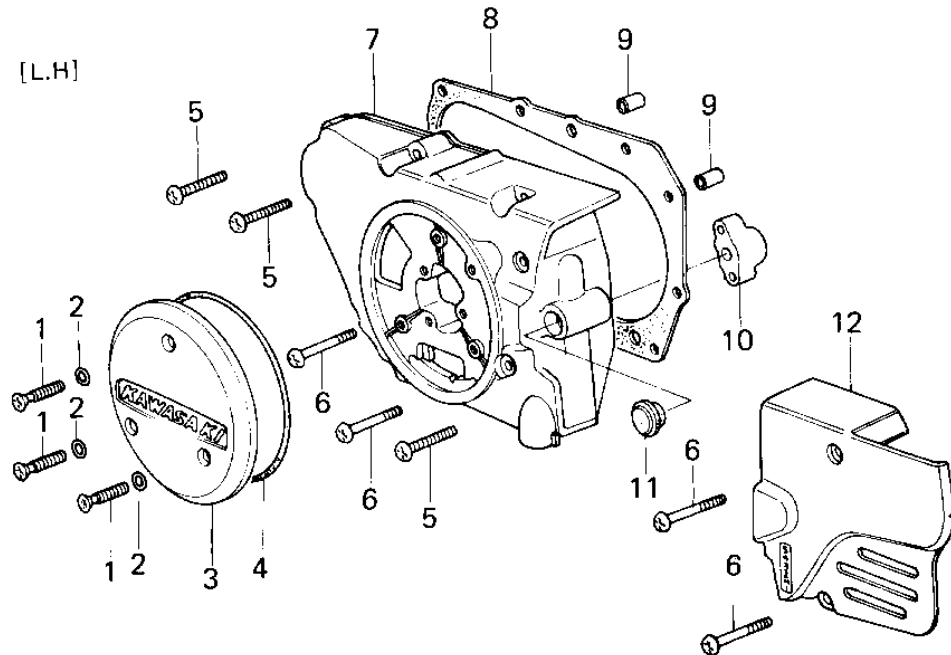
ENGINE COVERS



[R.H.]



[L.H.]



1978 KZ200-A1A PARTS LIST

ENGINE COVERS

ITEM NAME	PART NUMBER	QUANTITY
SCREW OVL CNTSK 6X25 (Ref # 1)	222E0625	
"O" RING,DYNAMO COVER (Ref # 2)	92055-109	
COVER,GENERATOR (Ref # 3)	14025-1107	
"O" RING,DYNAMO COVER (Ref # 4)	92055-108	
SCREW PAN HEAD 6X30 (Ref # 5)	220B0630	
SCREW PAN HEAD 6X55 (Ref # 6)	220B0655	
COVER,L.H ENGINE (Ref # 7)	14031-097-2H	
GASKET,L.H ENGINE COV (Ref # 8)	14045-031	
PIN-DOWEL (Ref # 9)	92042-007	
COLLAR,PUSH ROD (Ref # 10)	92027-1467	
PLUG (Ref # 11)	92066-065	
COVER,CHAIN (Ref # 12)	14026-037-2H	
GAUGE,OIL LEVEL (Ref # 13)	52015-004	
GAUGE,OIL LEVEL (Ref # 13)	52015-004	
GASKET,ENGINE COV,RH (Ref # 14)	11009-1235	
COVER,R.H ENGINE (Ref # 15)	14032-5003	
PLUG,OIL FILLER (Ref # 16)	16115-013	
"O" RING,31MM (Ref # 17)	92055-049	
SCREW PAN HEAD 6X30 (Ref # 18)	220B0630	
OIL SEAL (Ref # 19)	92050-078	